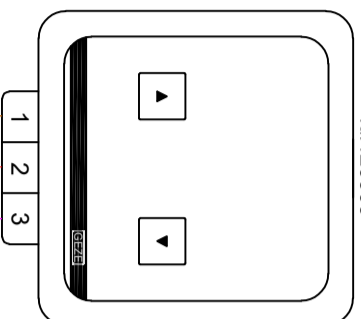
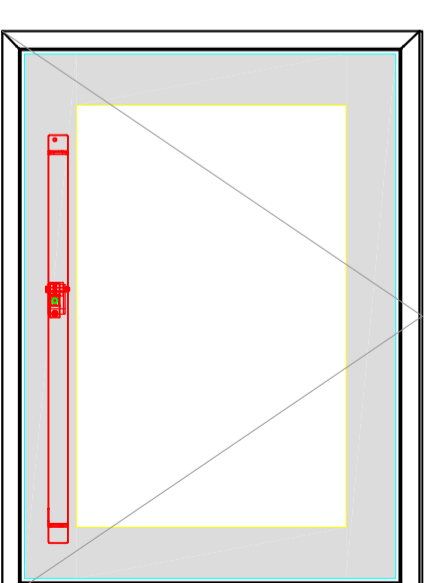
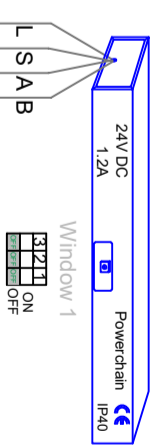


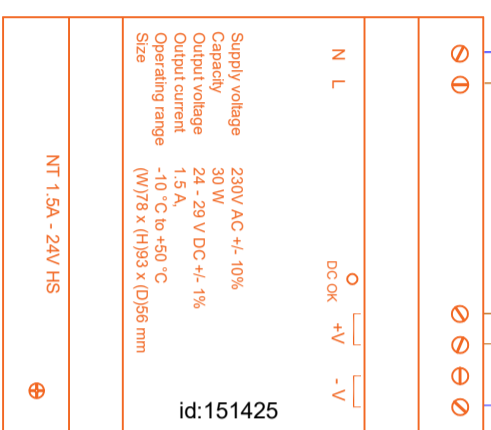
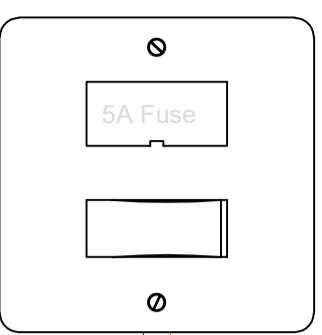
Drives Factory Fitted inside Rooflight



id:129393



Window 1

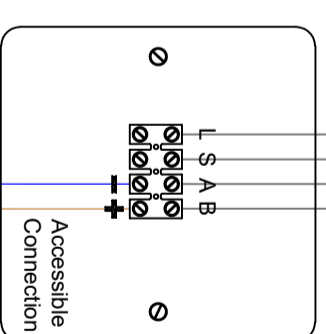


Transformer



id:163812

Run time to suit
Auto reverse = Aus
Mode = M



Accessible Connection

Cable Ø	1A	2A	4A	6A
1.5mm ²	100m	50m	25m	16m
2.5mm ²	180m	90m	45m	30m
4.0mm ²	280m	140m	70m	45m

NEXT GENERATION ROOFLIGHTS

Queens Business Park
Wilbraham Road
Fulbourn
Cambridge
CB21 5GT
T: 01223 792 224
E: sales@nextgenerationrooftlights.co.uk
info@nextgenerationrooftlights.co.uk
W: nextgenerationrooftlights.co.uk



This drawing shows the actual stage of product development at the date indicated. No claims or damages in any form can be made against Vision AGI as a result of the interpretation of this drawing. This drawing remains the property of Vision AGI and is made available to third parties only for the duration of contractual obligations. All rights connected with this drawing remain in possession of Vision AGI. This drawing may not be copied or handed over to third parties without the consent of Vision AGI Ltd.
Next Generation Rooflights is a trading name of Vision AGI Limited, Company No. 08429446. Registered Office: 1 Vicarage Lane, Stratford, London, E15 4HF

Drawn by: GSH
Date: 09.03.20

Approved by: DS
Date: 09.03.20



REV:	DESCRIPTION:	MODIFIED:	DATE:
Title: Powerchain - Master			
Drawing No.: CN200-02-01			