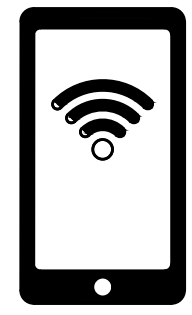
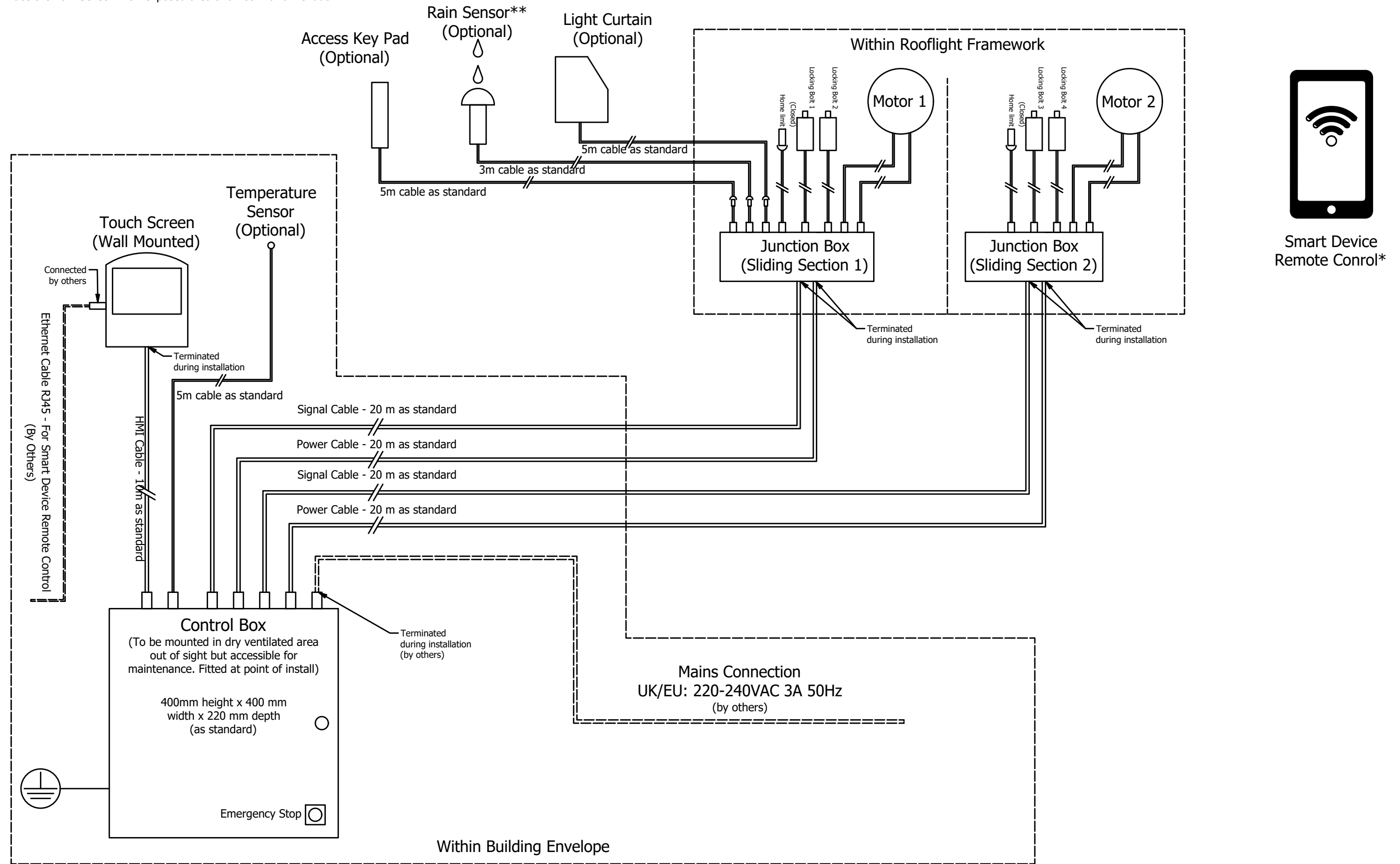


*Smart device not included with rooflight. An ethernet cable (RJ45) from the router will need to be connected to the Touch Screen for the remote control from a smart device to function.

**Place the Rain Sensor in an exposed area and not in a rain shadow.




Smart Device Remote Control*

GENERAL NOTES			
1. NO DIMENSIONS ARE TO BE SCALED FROM THIS DRAWING.			
2. DISCREPANCIES IN SITE DIMENSIONS TO BE REPORTED TO NEXT GENERATION ROOFLIGHTS.			
3. ALL DIMENSIONS IN MILLIMETERS.			
4. ALL LEVELS IN METRES.			
5. THIS DRAWING REMAINS THE PROPERTY OF VISION AGI LIMITED AND MAY NOT BE COPIED, REPRODUCED OR ITS CONTENTS DIVULGED WITHOUT PRIOR WRITTEN CONSENT FROM VISION AGI LIMITED.			
Next Generation Rooflights is a trading name of Vision AGI Limited, Company No. 08429446, Registered Office: 1 Vicarage Lane, Stratford, London, E15 4HF			

Rev	Date	Init	Revision

NEXT GENERATION ROOFLIGHTS
 Queens Business Park
 Wilbraham Road
 Fulbourn
 Cambridge
 CB21 5GT
 T: 01223 792 224
 E: sales@nextgenrooflights.co.uk
 info@nextgenrooflights.co.uk
 W: nextgenrooflights.co.uk



Client:

Title: Bi-Parting Sliding Over Fixed Wiring diagram			
Project: Rooflight			
Scales: NTS	Date: 01/07/22	Drawn: CR	Chk: CR
Drg No.: 300-SALES-201(10)		Rev: -	