

Roof Access Door

- Concealed electromechanical actuators
- Polyester powder-coated aluminium framework
- Thermally efficient
- 1100mm (external Width) across the hinged dimension
- 2400mm (external Span) down the fall
- Unlocks rooftop space by providing access to terrace



GENERAL NOTES

1. NO DIMENSIONS ARE TO BE SCALED FROM THIS DRAWING.
2. DISCREPANCIES IN SITE DIMENSIONS TO BE REPORTED TO NEXT GENERATION ROOFLIGHTS.
3. ALL DIMENSIONS IN MILLIMETERS.
4. ALL LEVELS IN METRES.
5. THIS DRAWING REMAINS THE PROPERTY OF VISION AGI LIMITED AND MAY NOT BE COPIED, REPRODUCED OR ITS CONTENTS DIVULGED WITHOUT PRIOR WRITTEN CONSENT FROM VISION AGI LIMITED.



Next Generation Rooflights is a trading name of Vision AGI Limited, Company No. 08429446, Registered Office: 1 Vicarage Lane, Stratford, London, E15 4HF

Rev	Date	Init	Revision

NEXT GENERATION ROOFLIGHTS
 Queens Business Park
 Wilbraham Road
 Fulbourn
 Cambridge
 CB21 5GT
 T: 01223 792 224
 E: sales@nextgenrooflights.co.uk
 info@nextgenrooflights.co.uk
 W: nextgenrooflights.co.uk

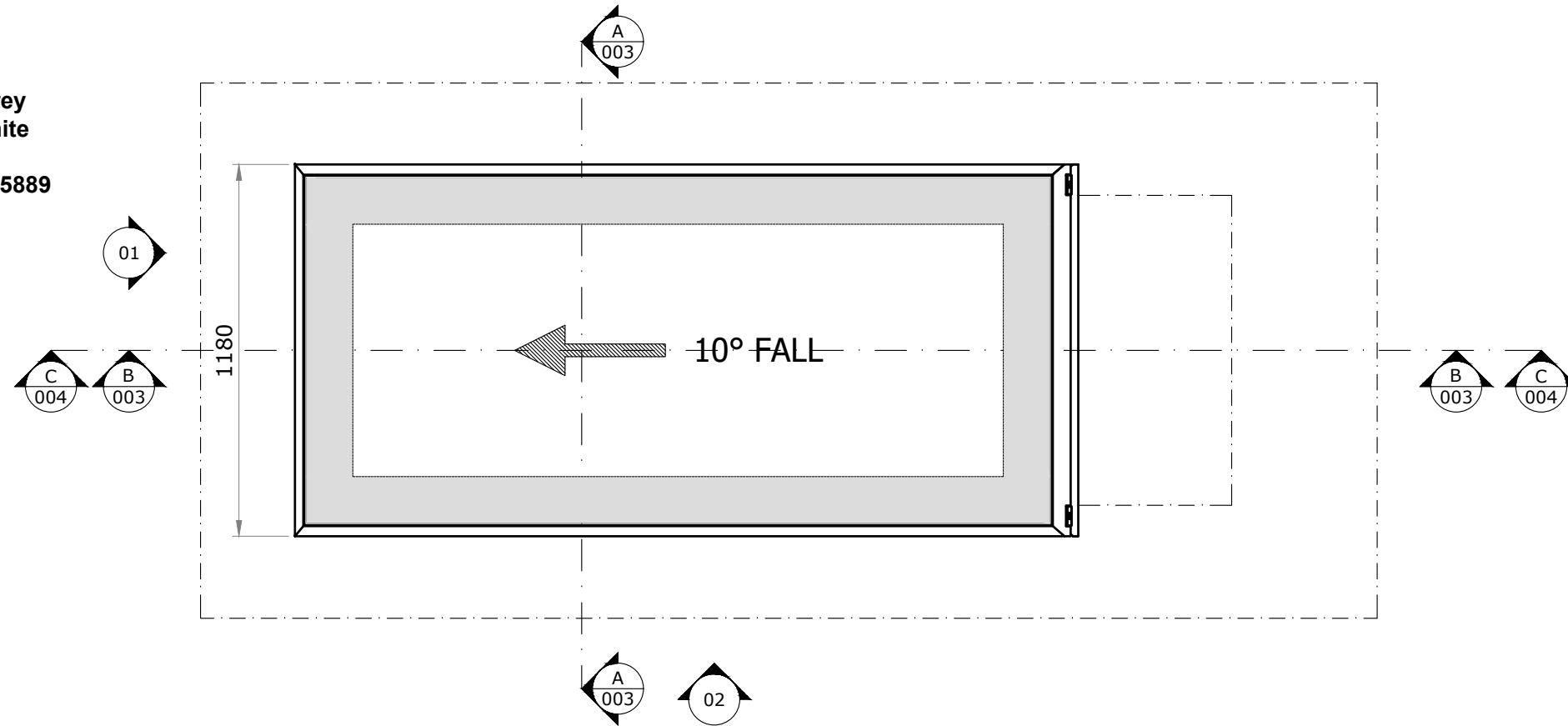


Client:

Title: Roof Access Door - Rooflight 3D Images & Characteristics			
Project: Rooflight			
Scales: NTS @ A3	Date: 01/07/22	Drawn: JWL	Chk: JWL
Drg No.: 400-RAD-001		Rev: -	

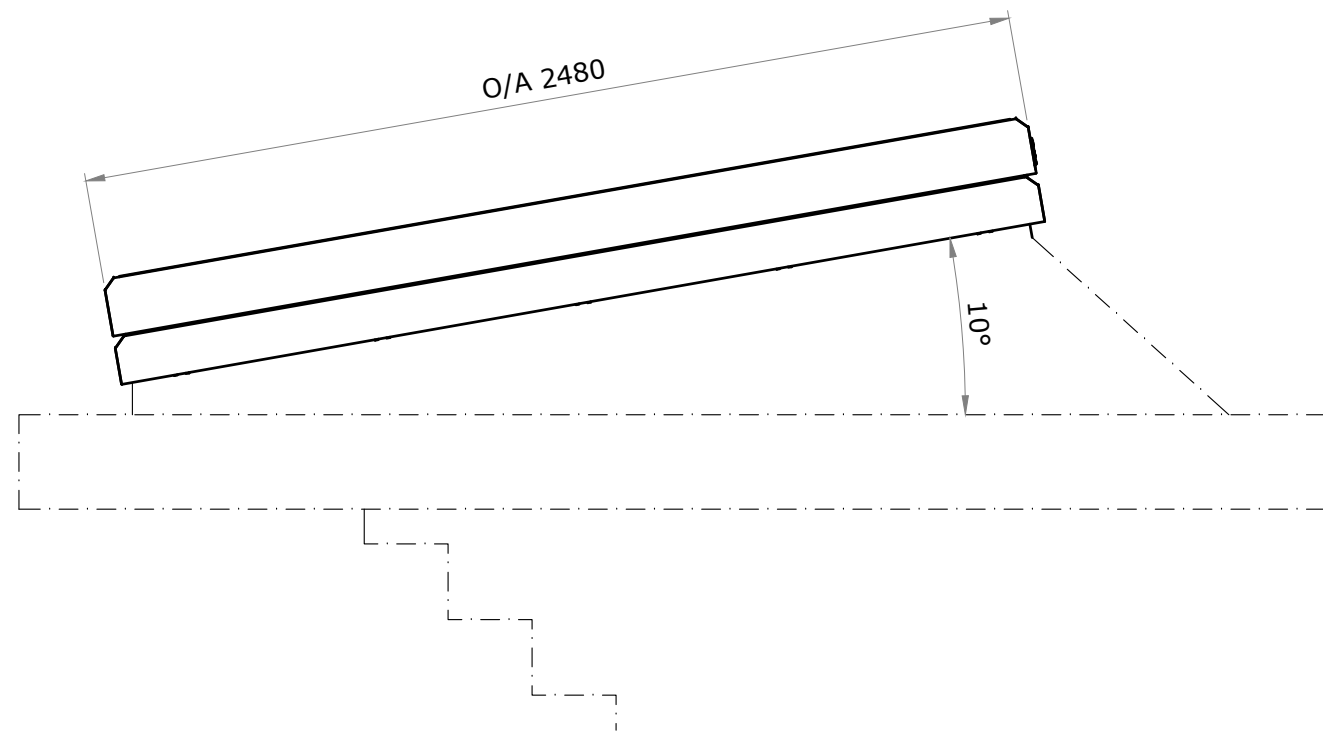
FINISH SPECIFICATION:

POLYESTER POWDER COATED; MIN 40 MICRONS
 STANDARD EXTERNAL COLOUR: **RAL 7015 Slate Grey**
 STANDARD INTERNAL COLOUR: **RAL 9010 Pure White**
 FIXING SPECIFICATION: **A2 STAINLESS STEEL**
 SEALANTS SPECIFICATION: **NEUTRAL CURE TO BS5889**

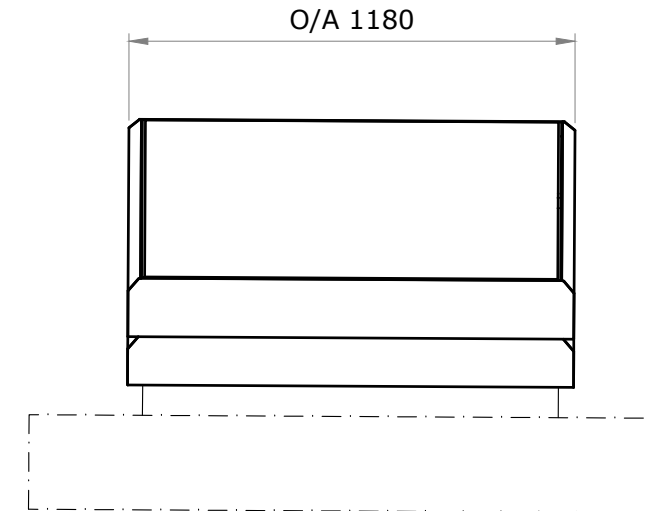


PLAN - CLOSED POSITION

1:20 @ A3



02 ELEVATION - SPAN
1:20 @ A3



01 ELEVATION - WIDTH
1:20 @ A3

GENERAL NOTES

- NO DIMENSIONS ARE TO BE SCALED FROM THIS DRAWING.
- DISCREPANCIES IN SITE DIMENSIONS TO BE REPORTED TO NEXT GENERATION ROOFLIGHTS.
- ALL DIMENSIONS IN MILLIMETERS.
- ALL LEVELS IN METRES.
- THIS DRAWING REMAINS THE PROPERTY OF VISION AGI LIMITED AND MAY NOT BE COPIED, REPRODUCED OR ITS CONTENTS DIVULGED WITHOUT PRIOR WRITTEN CONSENT FROM VISION AGI LIMITED.

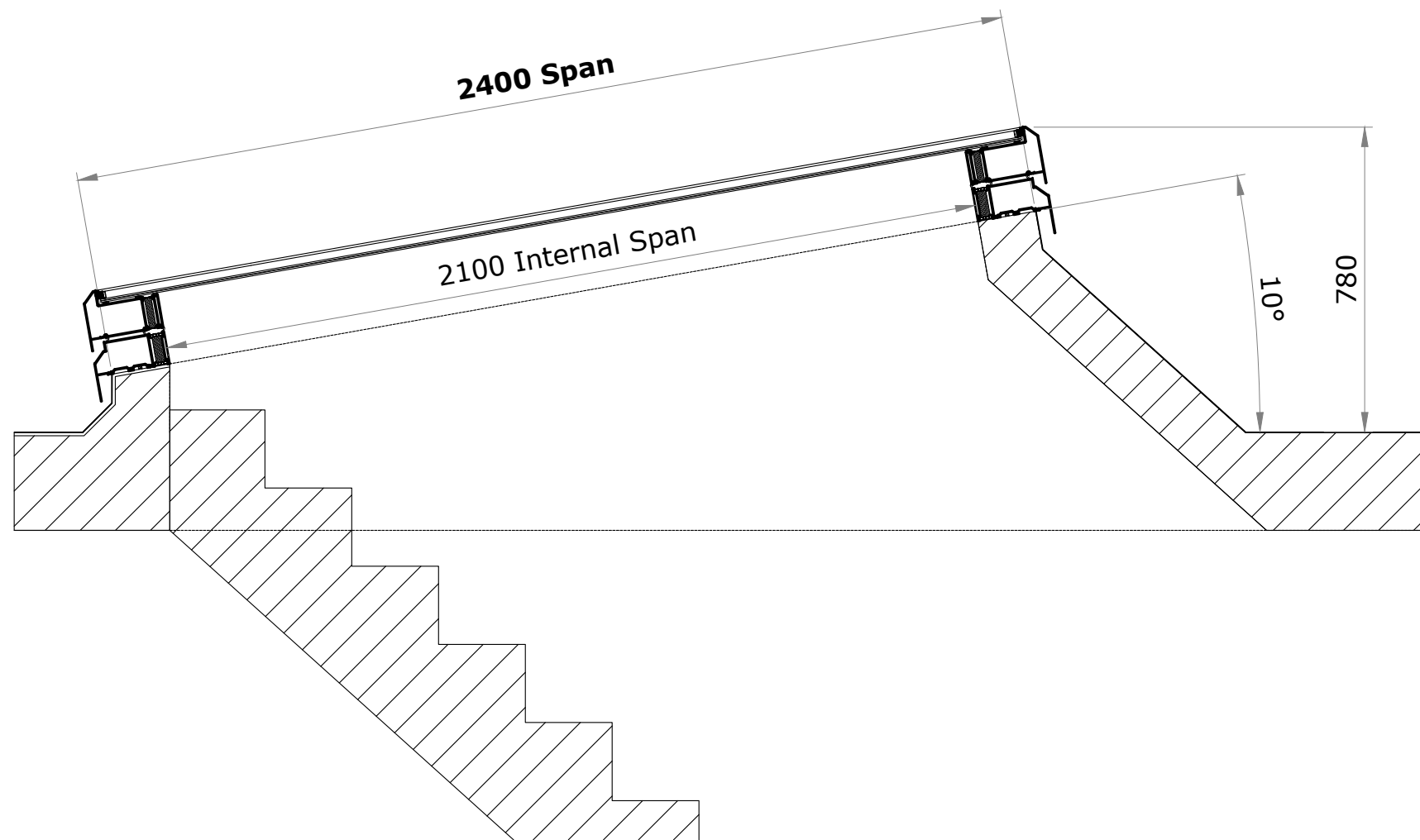
Next Generation Rooflights is a trading name of Vision AGI Limited, Company No. 08429446, Registered Office: 1 Vicarage Lane, Stratford, London, E15 4HF

Rev	Date	Init	Revision

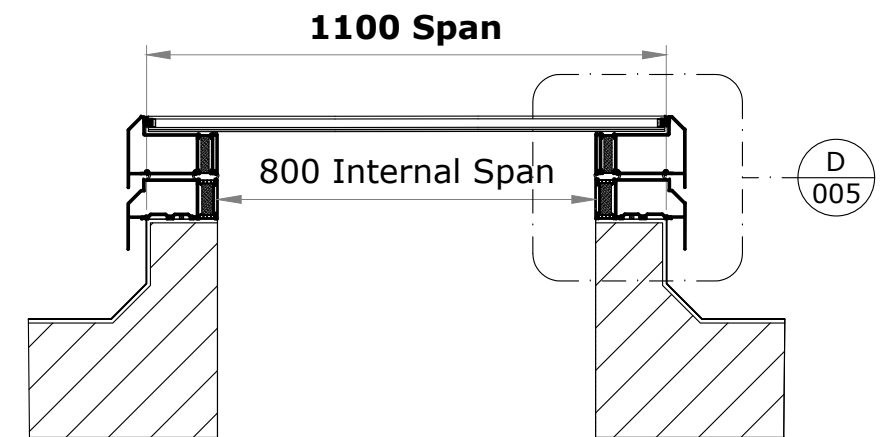
NEXT GENERATION ROOFLIGHTS
 Queens Business Park
 Wilbraham Road
 Fulbourn
 Cambridge
 CB21 5GT
 T: 01223 792 224
 E: sales@nextgenrooflights.co.uk
 info@nextgenrooflights.co.uk
 W: nextgenrooflights.co.uk

Client:

Title: Roof Access Door - Rooflight Closed Position Views			
Project: Rooflight			
Scales: 1:20 @ A3	Date: 01/07/22	Drawn: JWL	Chk: JWL
Drg No.: 24/06/22		Rev: -	



B
002 SECTION - THROUGH SPAN CLOSED POSITION
1:16 @ A3



A
002 SECTION - THROUGH WIDTH CLOSED POSITION
1:16 @ A3



GENERAL NOTES

1. NO DIMENSIONS ARE TO BE SCALED FROM THIS DRAWING.
2. DISCREPANCIES IN SITE DIMENSIONS TO BE REPORTED TO NEXT GENERATION ROOFLIGHTS.
3. ALL DIMENSIONS IN MILLIMETERS.
4. ALL LEVELS IN METRES.
5. THIS DRAWING REMAINS THE PROPERTY OF VISION AGI LIMITED AND MAY NOT BE COPIED, REPRODUCED OR ITS CONTENTS DIVULGED WITHOUT PRIOR WRITTEN CONSENT FROM VISION AGI LIMITED.

Next Generation Rooflights is a trading name of Vision AGI Limited, Company No. 08429446, Registered Office: 1 Vicarage Lane, Stratford, London, E15 4HF

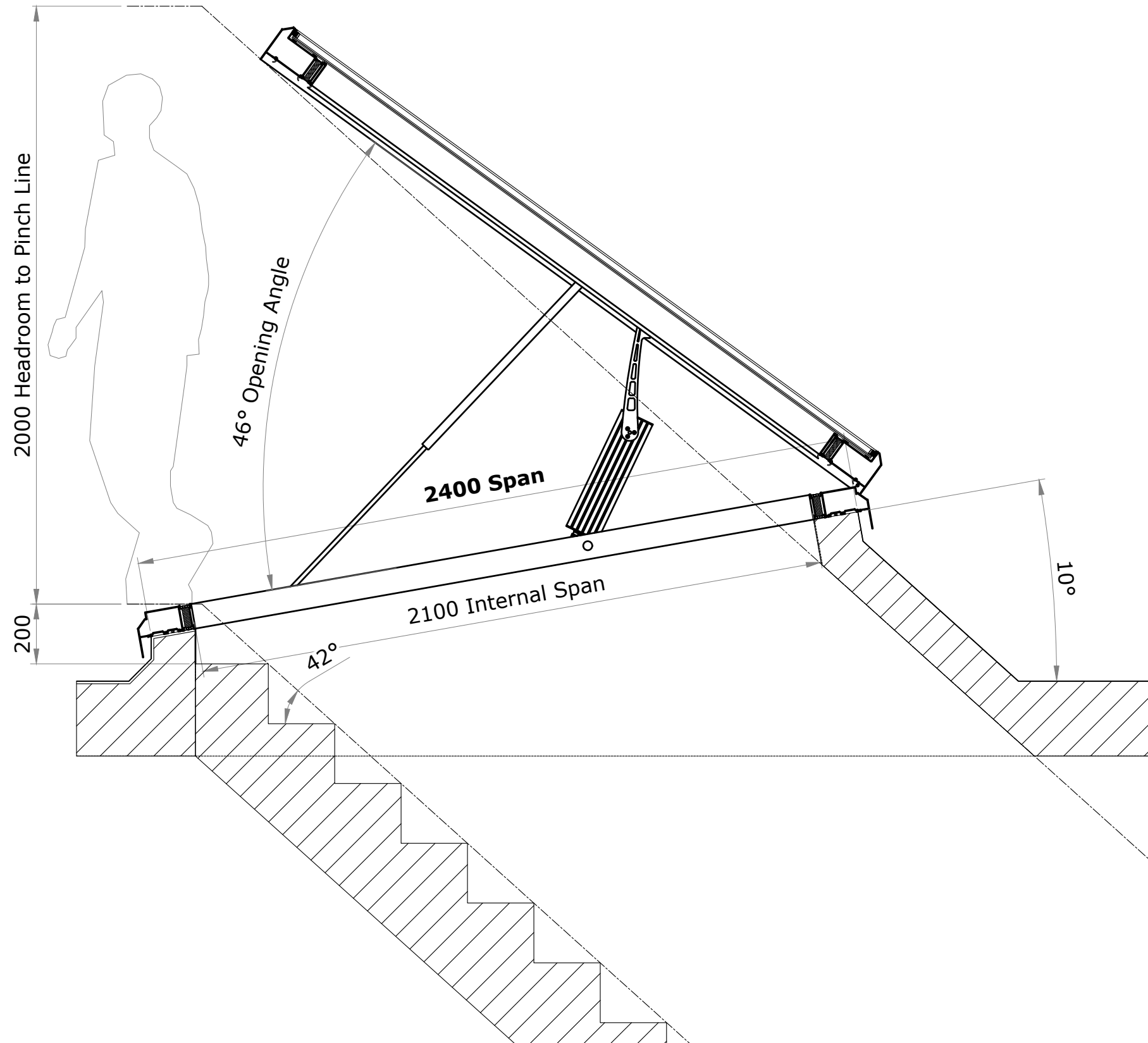
Rev	Date	Init	Revision

NEXT GENERATION ROOFLIGHTS
 Queens Business Park
 Wilbraham Road
 Fulbourn
 Cambridge
 CB21 5GT
 T: 01223 792 224
 E: sales@nextgenrooflights.co.uk
 info@nextgenrooflights.co.uk
 W: nextgenrooflights.co.uk



Client:

Title: Roof Access Door - Rooflight Closed position Sections			
Project: Rooflight			
Scales: 1:16 @ A3	Date: 01/07/22	Drawn: JWL	Chk: JWL
Drg No.: 400-RAD-003		Rev: -	



C
002 SECTION - THROUGH SPAN OPEN POSITION
1:16 @ A3

GENERAL NOTES

1. NO DIMENSIONS ARE TO BE SCALED FROM THIS DRAWING.
2. DISCREPANCIES IN SITE DIMENSIONS TO BE REPORTED TO NEXT GENERATION ROOFLIGHTS.
3. ALL DIMENSIONS IN MILLIMETERS.
4. ALL LEVELS IN METRES.
5. THIS DRAWING REMAINS THE PROPERTY OF VISION AGI LIMITED AND MAY NOT BE COPIED, REPRODUCED OR ITS CONTENTS DIVULGED WITHOUT PRIOR WRITTEN CONSENT FROM VISION AGI LIMITED.

Next Generation Rooflights is a trading name of Vision AGI Limited, Company No. 08429446, Registered Office: 1 Vicarage Lane, Stratford, London, E15 4HF

Rev	Date	Init	Revision
		JWL	

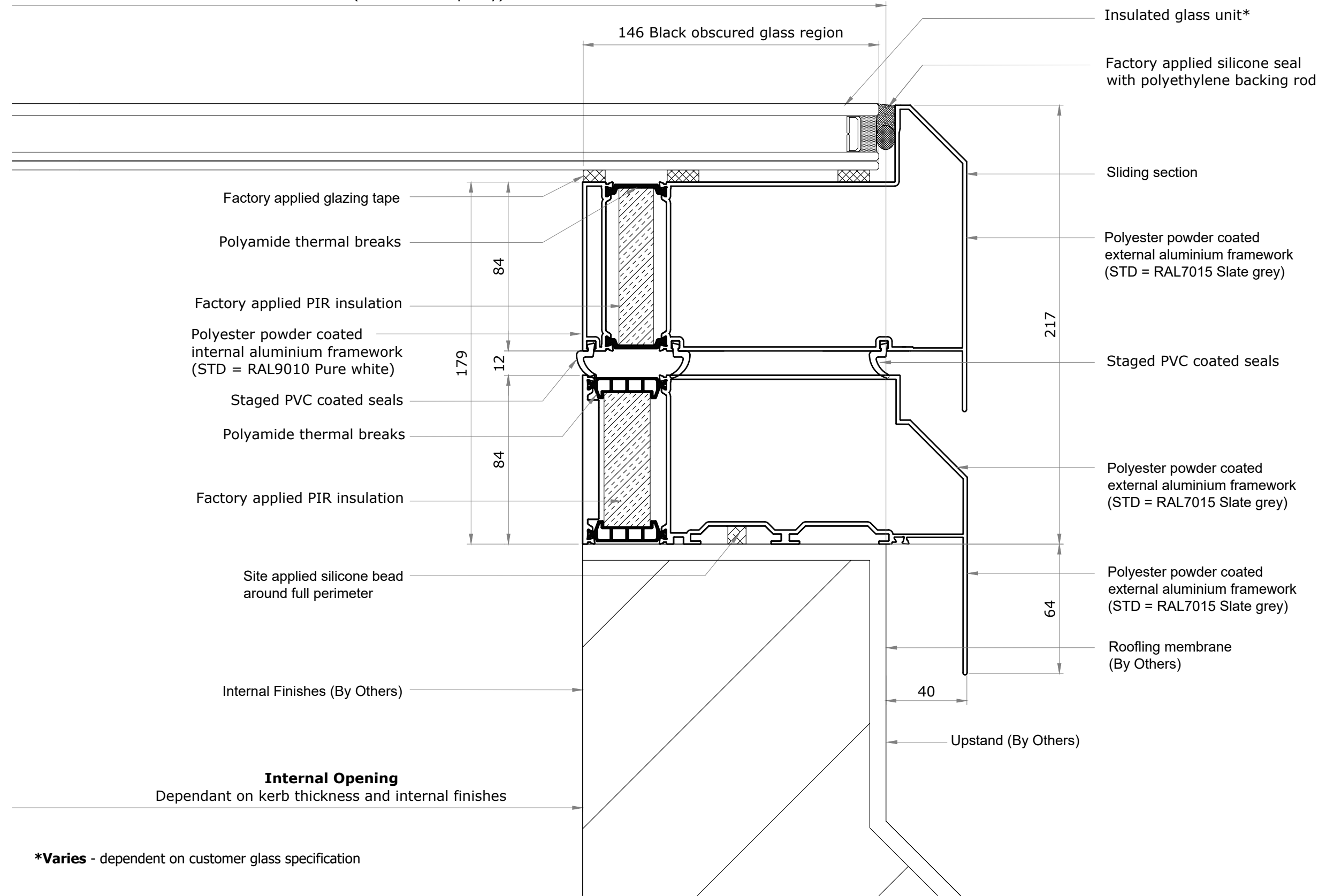
NEXT GENERATION ROOFLIGHTS
 Queens Business Park
 Wilbraham Road
 Fulbourn
 Cambridge
 CB21 5GT
 T: 01223 792 224
 E: sales@nextgenrooflights.co.uk
 info@nextgenrooflights.co.uk
 W: nextgenrooflights.co.uk



Client:

Title: Roof Access Door - Rooflight Open Position Section			
Project: Rooflight			
Scales: 1:16 @ A3	Date: 01/07/22	Drawn: JWL	Chk: JWL
Drg No.: 400-RAD-004		Rev: -	

Width
Critical dimension
Includes all weathering finishes
(Customer to specify)



*Varies - dependent on customer glass specification

D
003 1:2 @ A3
DETAIL - SECTION THROUGH FRAME CLOSED POSITION

Internal Opening
Dependant on kerb thickness and internal finishes

Rev	Date	Init	Revision

GENERAL NOTES

- NO DIMENSIONS ARE TO BE SCALED FROM THIS DRAWING.
- DISCREPANCIES IN SITE DIMENSIONS TO BE REPORTED TO NEXT GENERATION ROOFLIGHTS.
- ALL DIMENSIONS IN MILLIMETERS.
- ALL LEVELS IN METRES.
- THIS DRAWING REMAINS THE PROPERTY OF VISION AGI LIMITED AND MAY NOT BE COPIED, REPRODUCED OR ITS CONTENTS DIVULGED WITHOUT PRIOR WRITTEN CONSENT FROM VISION AGI LIMITED.

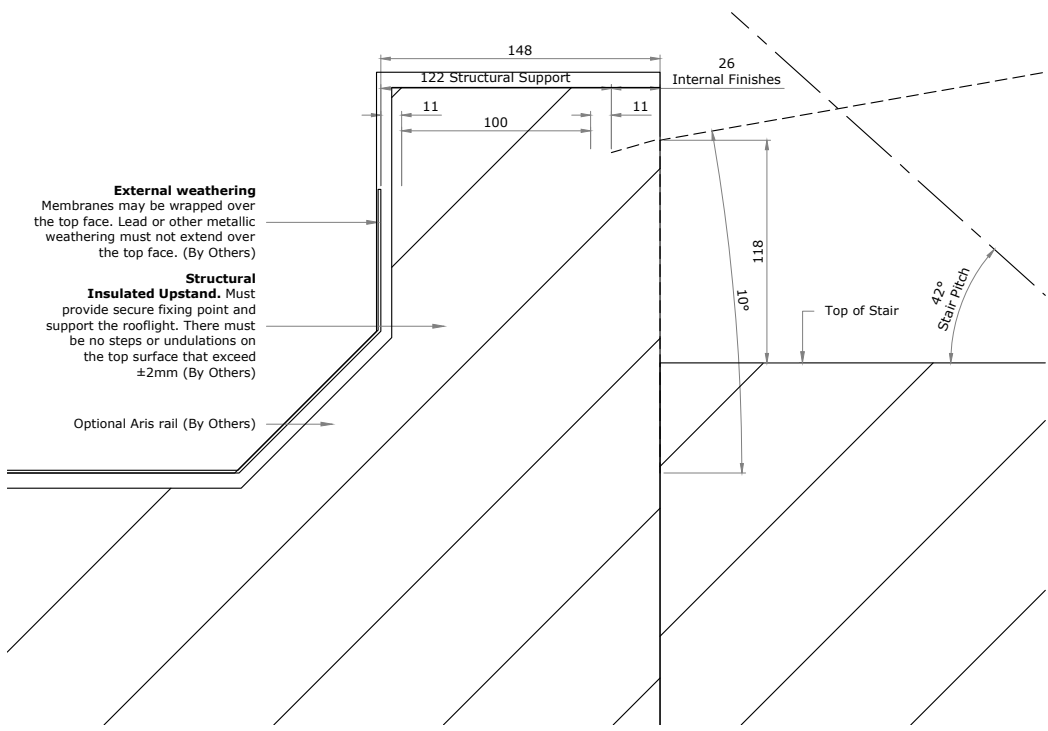
Next Generation Rooflights is a trading name of Vision AGI Limited, Company No. 08429446, Registered Office: 1 Vicarage Lane, Stratford, London, E15 4HF

<p>NEXT GENERATION ROOFLIGHTS Queens Business Park Wilbraham Road Fulbourn Cambridge CB21 5GT T: 01223 792 224 E: sales@nextgenrooflights.co.uk info@nextgenrooflights.co.uk W: nextgenrooflights.co.uk</p>			
--	--	--	--

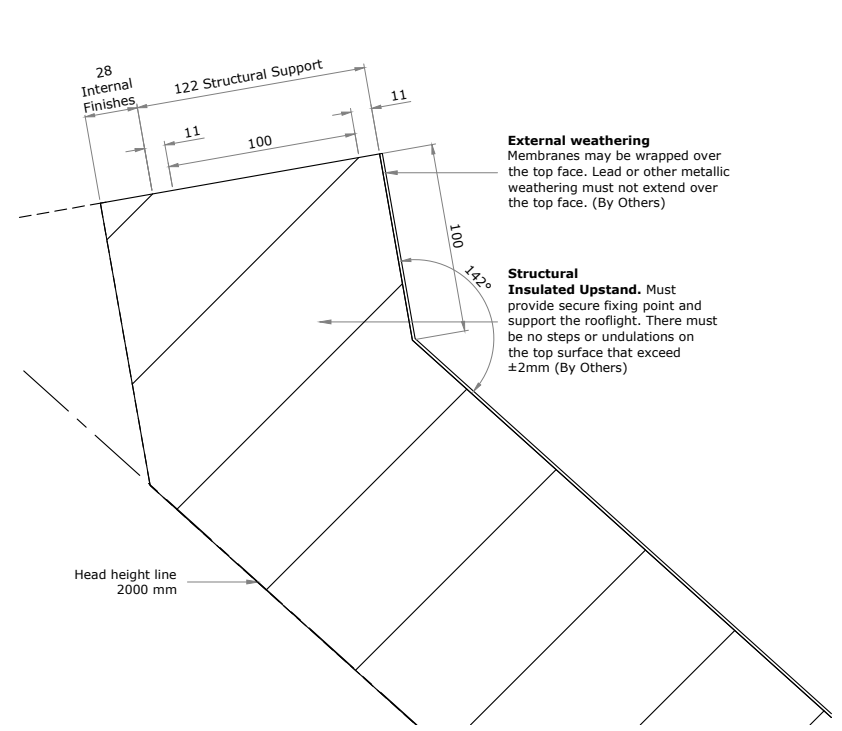
NEXT GENERATION ROOFLIGHTS

Client:

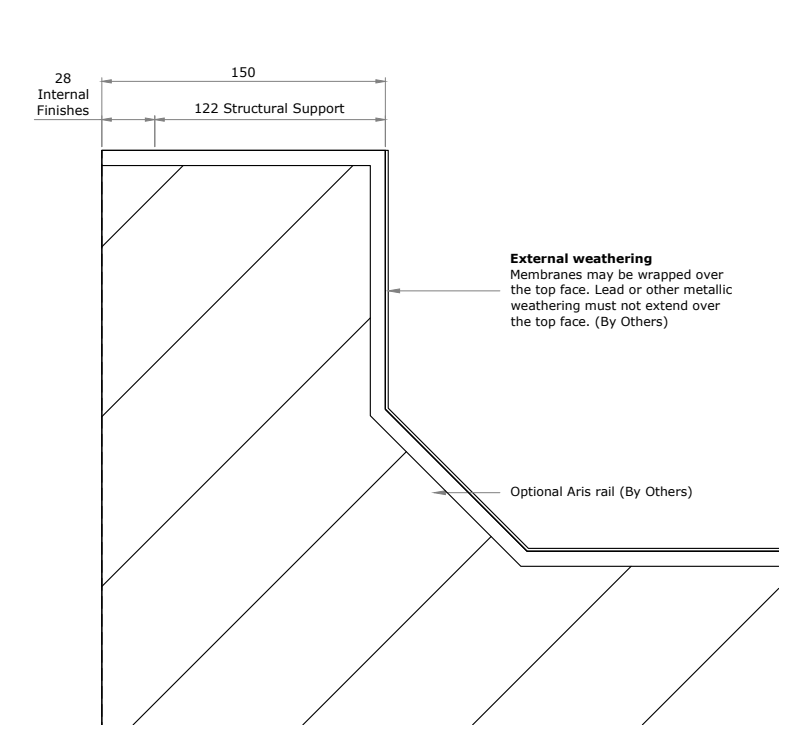
<p>Title: Roof Access Door - Rooflight Detail Section Through Frame</p>			
<p>Project: Rooflight</p>			
<p>Scales: 1:2 @ A3</p>	<p>Date: 01/07/22</p>	<p>Drawn: JWL</p>	<p>Chk: JWL</p>
<p>Drg No.: 400-RAD-005</p>		<p>Rev: -</p>	



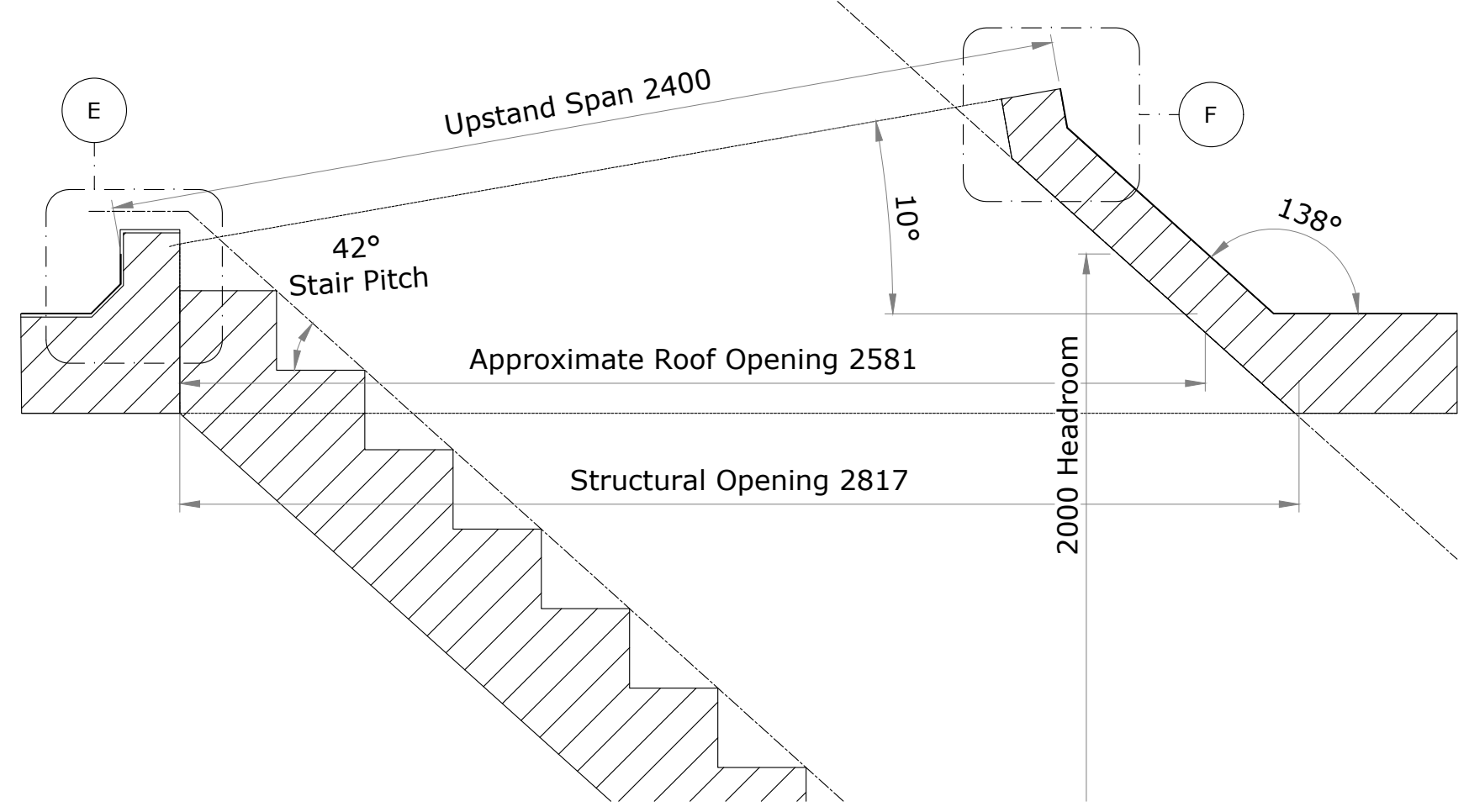
E DETAIL - SECTION THROUGH UPSTAND SPAN BOTTOM OF FALL
1:2 @ A3



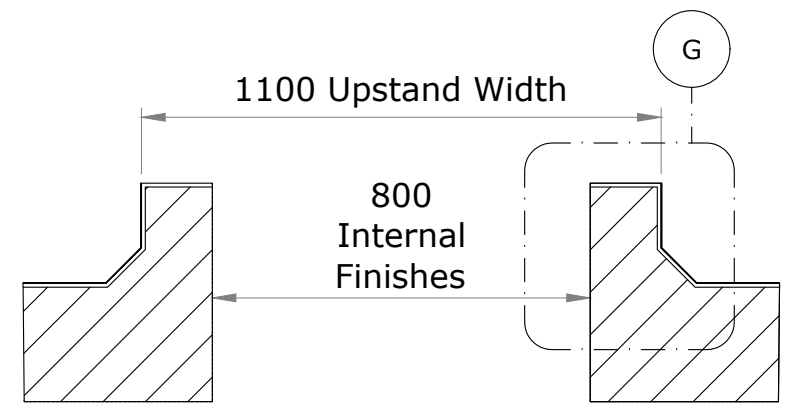
F DETAIL - SECTION THROUGH UPSTAND SPAN TOP OF FALL
1:2 @ A3



G DETAIL - SECTION THROUGH UPSTAND WIDTH
1:4 @ A3



B SECTION - THROUGH UPSTAND SPAN
1:16 @ A3



A SECTION - THROUGH UPSTAND WIDTH
1:16 @ A3

IMPORTANT NOTES:

This is a suggested detail. Every project is different and may require a different solution. The example given is to show how the RAD could work as access to the roof with a staircase.

Next Generation Rooflights Strongly recommends that a structural engineer is consulted when designing the structure(s) that will support the product and the surrounding roof. Nothing in this drawing constitutes a structural proposal.

Upstand Kits can be purchased from Next Generation Rooflights (does not include weathering)

GENERAL NOTES				
1. NO DIMENSIONS ARE TO BE SCALED FROM THIS DRAWING.				
2. DISCREPANCIES IN SITE DIMENSIONS TO BE REPORTED TO NEXT GENERATION ROOFLIGHTS.				
3. ALL DIMENSIONS IN MILLIMETERS.				
4. ALL LEVELS IN METRES.				
5. THIS DRAWING REMAINS THE PROPERTY OF VISION AGI LIMITED AND MAY NOT BE COPIED, REPRODUCED OR ITS CONTENTS DIVULGED WITHOUT PRIOR WRITTEN CONSENT FROM VISION AGI LIMITED.				
Next Generation Rooflights is a trading name of Vision AGI Limited, Company No. 08429446, Registered Office: 1 Vicarage Lane, Stratford, London, E15 4HF				

Rev	Date	Init	Revision

NEXT GENERATION ROOFLIGHTS
 Queens Business Park
 Wilbraham Road
 Fulbourn
 Cambridge
 CB21 5GT
 T: 01223 792 224
 E: sales@nextgenrooflights.co.uk
 info@nextgenrooflights.co.uk
 W: nextgenrooflights.co.uk

Client:

Title: Roof Access Door - Rooflight Upstand			
Project: Rooflight			
Scales: 1:16, 1:4 @ A3	Date: 01/07/22	Drawn: JWL	Chk: JWL
Drg No.: 400-RAD-006		Rev: -	