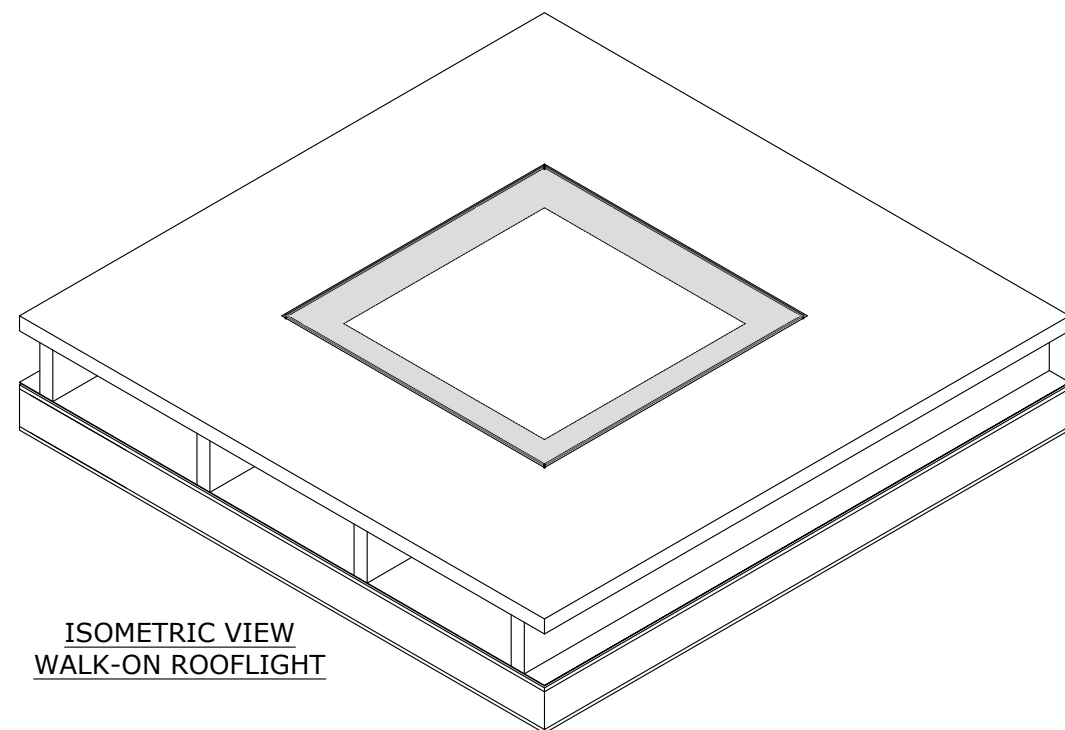
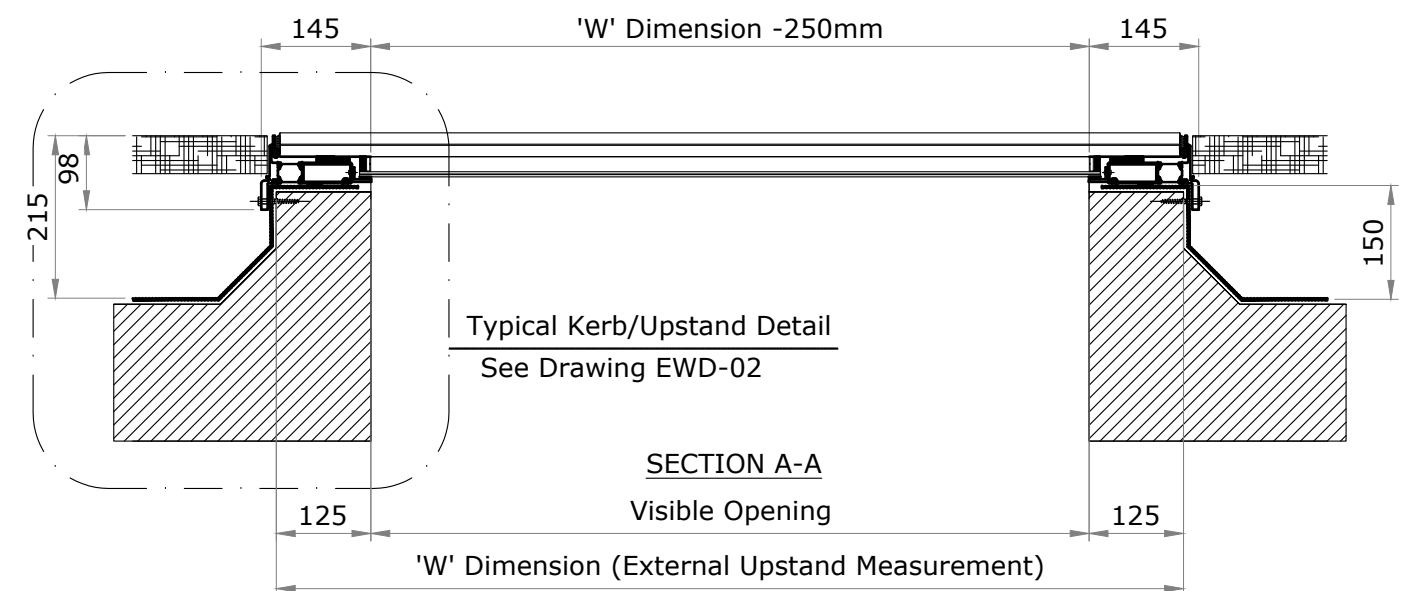
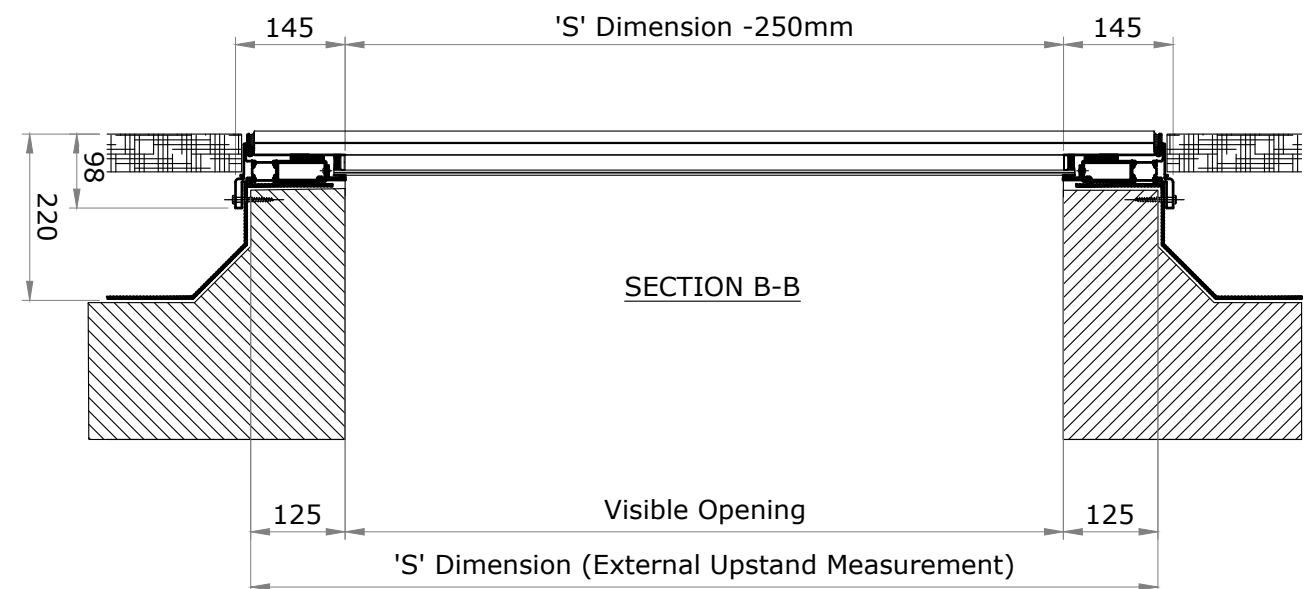


PLAN VIEW WALK-ON ROOFLIGHT

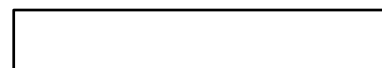


ISOMETRIC VIEW WALK-ON ROOFLIGHT



GENERAL NOTES

1. NO DIMENSIONS ARE TO BE SCALED FROM THIS DRAWING.
2. DISCREPANCIES IN SITE DIMENSIONS TO BE REPORTED TO NEXT GENERATION ROOFLIGHTS.
3. ALL DIMENSIONS IN MILLIMETERS.
4. ALL LEVELS IN METRES.
5. THIS DRAWING REMAINS THE PROPERTY OF VISION AGI LIMITED AND MAY NOT BE COPIED, REPRODUCED OR ITS CONTENTS DIVULGED WITHOUT PRIOR WRITTEN CONSENT FROM VISION AGI LIMITED.



Next Generation Rooflights is a trading name of Vision AGI Limited, Company No. 08429446, Registered Office: 1 Vicarage Lane, Stratford, London, E15 4HF

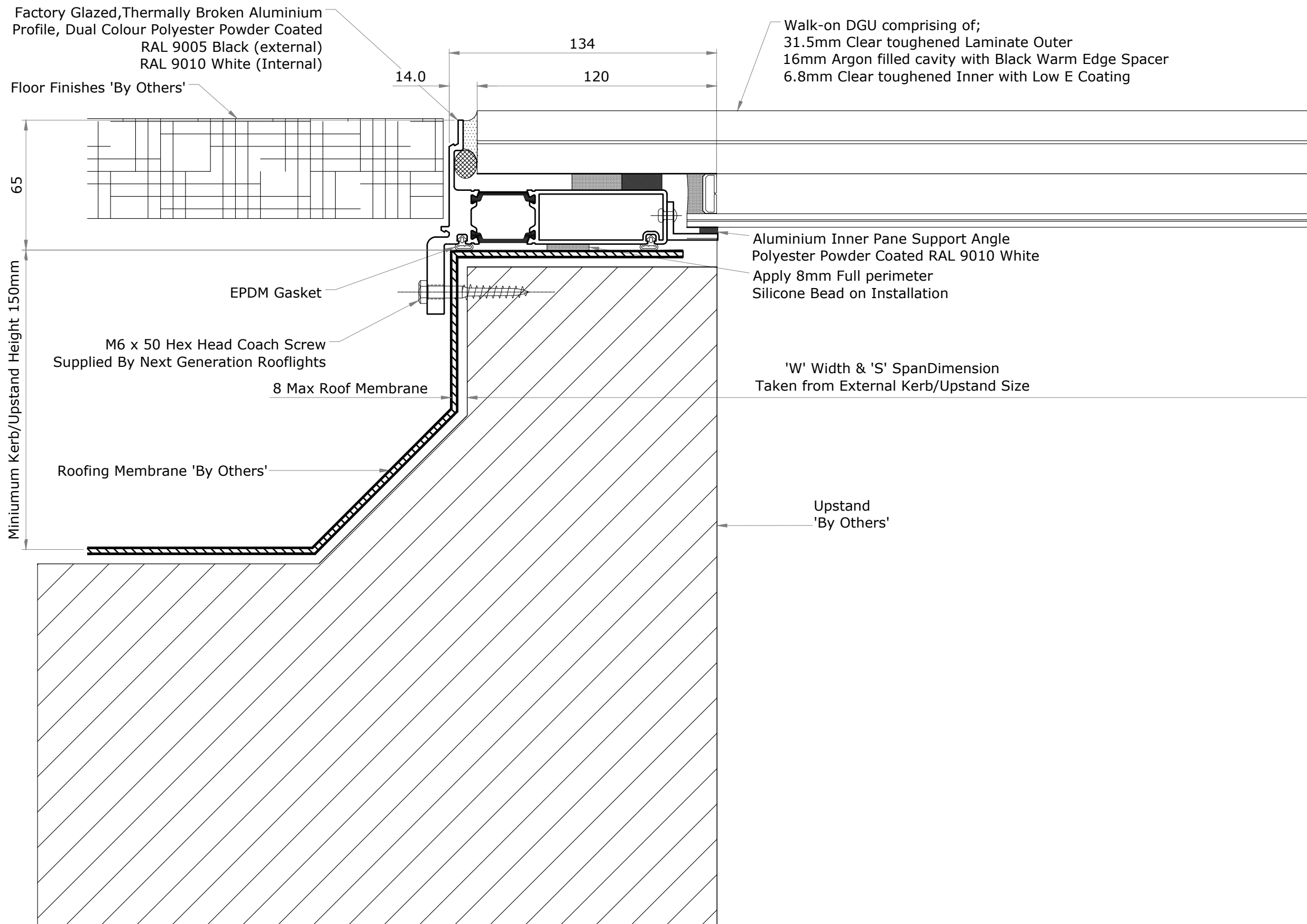
Rev	Date	Init	Revision

NEXT GENERATION ROOFLIGHTS
 Queens Business Park
 Wilbraham Road
 Fulbourn
 Cambridge
 CB21 5GT
 T: 01223 792 224
 E: sales@nextgenrooflights.co.uk
 info@nextgenrooflights.co.uk
 W: nextgenrooflights.co.uk



Client: _____

Title: External Walk-on Rooflight			
Project: Rooflight			
Scales: 1:10 @ A3	Date: 01/07/22	Drawn: GSH	Chk: EW
Drg No.: EW-02	Rev: -		



Minimum Kerb/Upstand Height 150mm

Factory Glazed, Thermally Broken Aluminium Profile, Dual Colour Polyester Powder Coated
RAL 9005 Black (external)
RAL 9010 White (Internal)

Floor Finishes 'By Others'

Walk-on DGU comprising of;
31.5mm Clear toughened Laminate Outer
16mm Argon filled cavity with Black Warm Edge Spacer
6.8mm Clear toughened Inner with Low E Coating

Aluminium Inner Pane Support Angle
Polyester Powder Coated RAL 9010 White
Apply 8mm Full perimeter
Silicone Bead on Installation

M6 x 50 Hex Head Coach Screw
Supplied By Next Generation Rooflights

EPDM Gasket

8 Max Roof Membrane

Roofing Membrane 'By Others'

'W' Width & 'S' Span Dimension
Taken from External Kerb/Upstand Size

Upstand
'By Others'

GENERAL NOTES

- NO DIMENSIONS ARE TO BE SCALED FROM THIS DRAWING.
- DISCREPANCIES IN SITE DIMENSIONS TO BE REPORTED TO NEXT GENERATION ROOFLIGHTS.
- ALL DIMENSIONS IN MILLIMETERS.
- ALL LEVELS IN METRES.
- THIS DRAWING REMAINS THE PROPERTY OF VISION AGI LIMITED AND MAY NOT BE COPIED, REPRODUCED OR ITS CONTENTS DIVULGED WITHOUT PRIOR WRITTEN CONSENT FROM VISION AGI LIMITED.

Next Generation Rooflights is a trading name of Vision AGI Limited, Company No. 08429446, Registered Office: 1 Vicarage Lane, Stratford, London, E15 4HF

Rev	Date	Init	Revision

NEXT GENERATION ROOFLIGHTS
Queens Business Park
Wilbraham Road
Fulbourn
Cambridge
CB21 5GT
T: 01223 792 224
E: sales@nextgenrooflights.co.uk
info@nextgenrooflights.co.uk
W: nextgenrooflights.co.uk



Client:

Title: External Walk-On Rooflight
Kerb/Upstand Section Detail

Project: Rooflight

Scales: 1:2 @ A3	Date: 01/07/22	Drawn: GSH	Chk: EW
Drg No.: EWD-02	Rev: -		