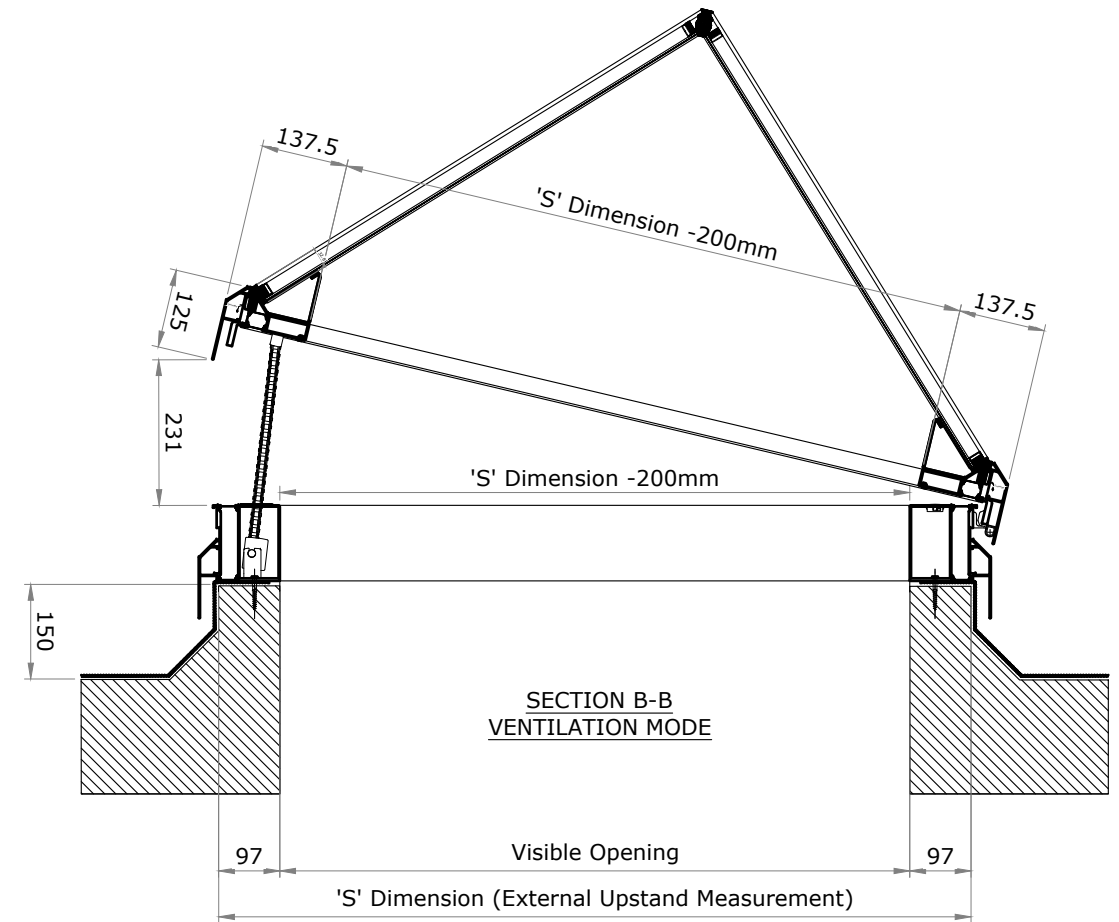
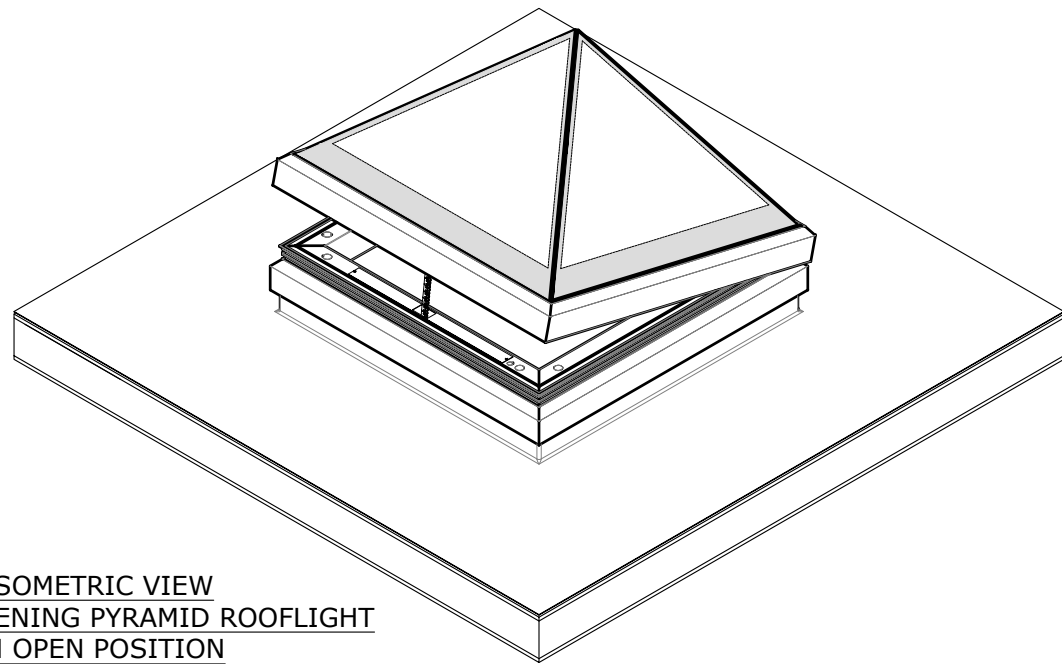


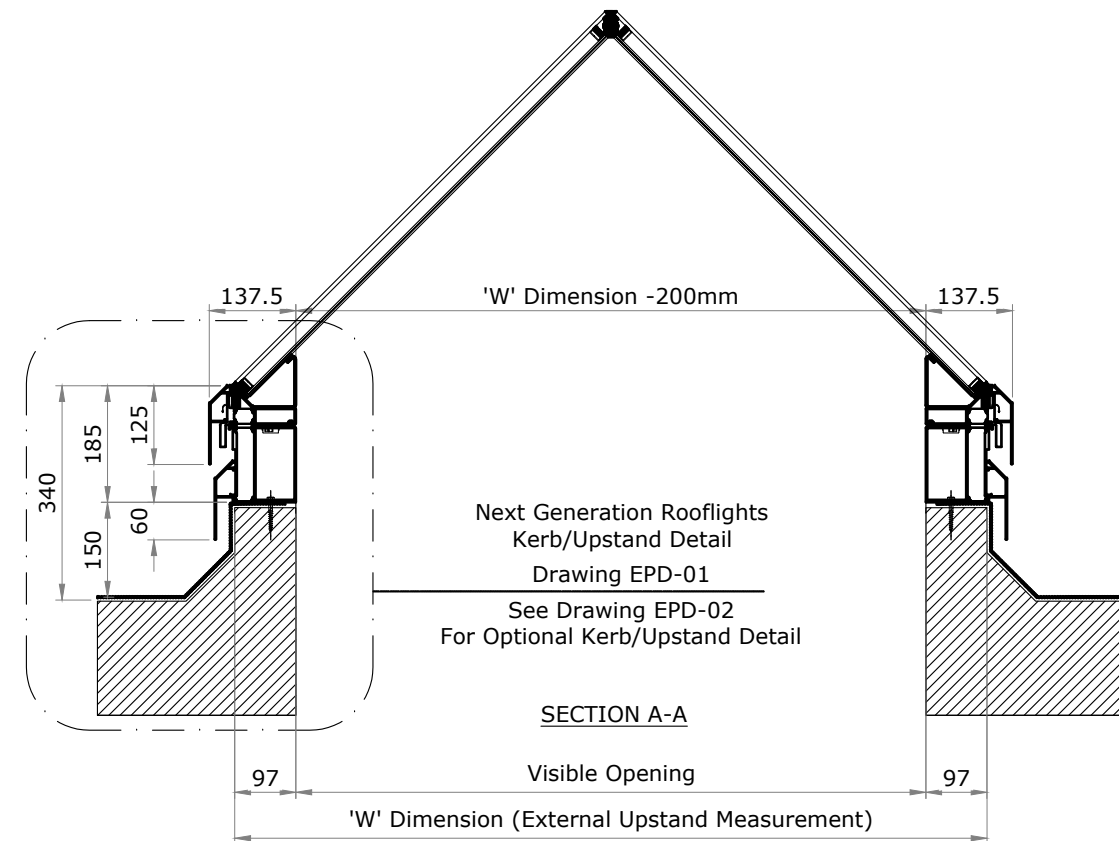
PLAN VIEW  
ELECTRIC OPENING PYRAMID ROOFLIGHT  
IN CLOSED POSITION



SECTION B-B  
VENTILATION MODE



ISOMETRIC VIEW  
ELECTRIC OPENING PYRAMID ROOFLIGHT  
IN OPEN POSITION



Next Generation Rooflights  
Kerb/Upstand Detail  
Drawing EPD-01  
See Drawing EPD-02  
For Optional Kerb/Upstand Detail

SECTION A-A



GENERAL NOTES

1. NO DIMENSIONS ARE TO BE SCALED FROM THIS DRAWING.
2. DISCREPANCIES IN SITE DIMENSIONS TO BE REPORTED TO NEXT GENERATION ROOFLIGHTS.
3. ALL DIMENSIONS IN MILLIMETERS.
4. ALL LEVELS IN METRES.
5. THIS DRAWING REMAINS THE PROPERTY OF VISION AGI LIMITED AND MAY NOT BE COPIED, REPRODUCED OR ITS CONTENTS DIVULGED WITHOUT PRIOR WRITTEN CONSENT FROM VISION AGI LIMITED.

Next Generation Rooflights is a trading name of Vision AGI Limited, Company No. 08429446, Registered Office: 1 Vicarage Lane, Stratford, London, E15 4HF

Rev	Date	Init	Revision

**NEXT GENERATION ROOFLIGHTS**  
Queens Business Park  
Wilbraham Road  
Fulbourn  
Cambridge  
CB21 5GT  
T: 01223 792 224  
E: sales@nextgenrooflights.co.uk  
info@nextgenrooflights.co.uk  
W: nextgenrooflights.co.uk



Client: \_\_\_\_\_

Title: Electric Opening Pyramid Rooflight			
Project: Rooflight			
Scales: NTS	Date: 01/07/22	Drawn: GSH	Chk: EW
Drg No.: EP-01	Rev: -		

Typical 32.8mm DGU comprising of;  
6mm HST Toughened Solar Control Outer  
20mm Argon filled cavity with Black Warm Edge Spacer  
6.8mm Clear Laminated Inner

Black Silicone Seal

Extruded Aluminium Cover Flashing  
Polyester Powder Coated to RAL 7015 Slate Grey  
(Other RAL colours as Bespoke Option)

Factory Glazed, Thermally Broken Aluminium  
Profile, Dual Colour Polyester Powder Coated  
RAL 9005 Black (external)  
RAL 9010 White (Internal)

EPDM Gasket

Thermally Broken Aluminium Vent Profile  
Dual Colour Polyester Powder Coated  
RAL 7015 Slate Grey (external)  
RAL 9010 White (Internal)

Extruded Aluminium Cover Flashing  
Polyester Powder Coated to RAL 7015 Slate Grey  
(Other RAL colours as Bespoke Option)

Internal Support Pressing  
Polyester Powder Coated to RAL 9010 White

M6 x 50 Hex Head Coach Screw  
Supplied By Next Generation Rooflights

Apply 8mm Full perimeter  
Silicone Bead on Installation

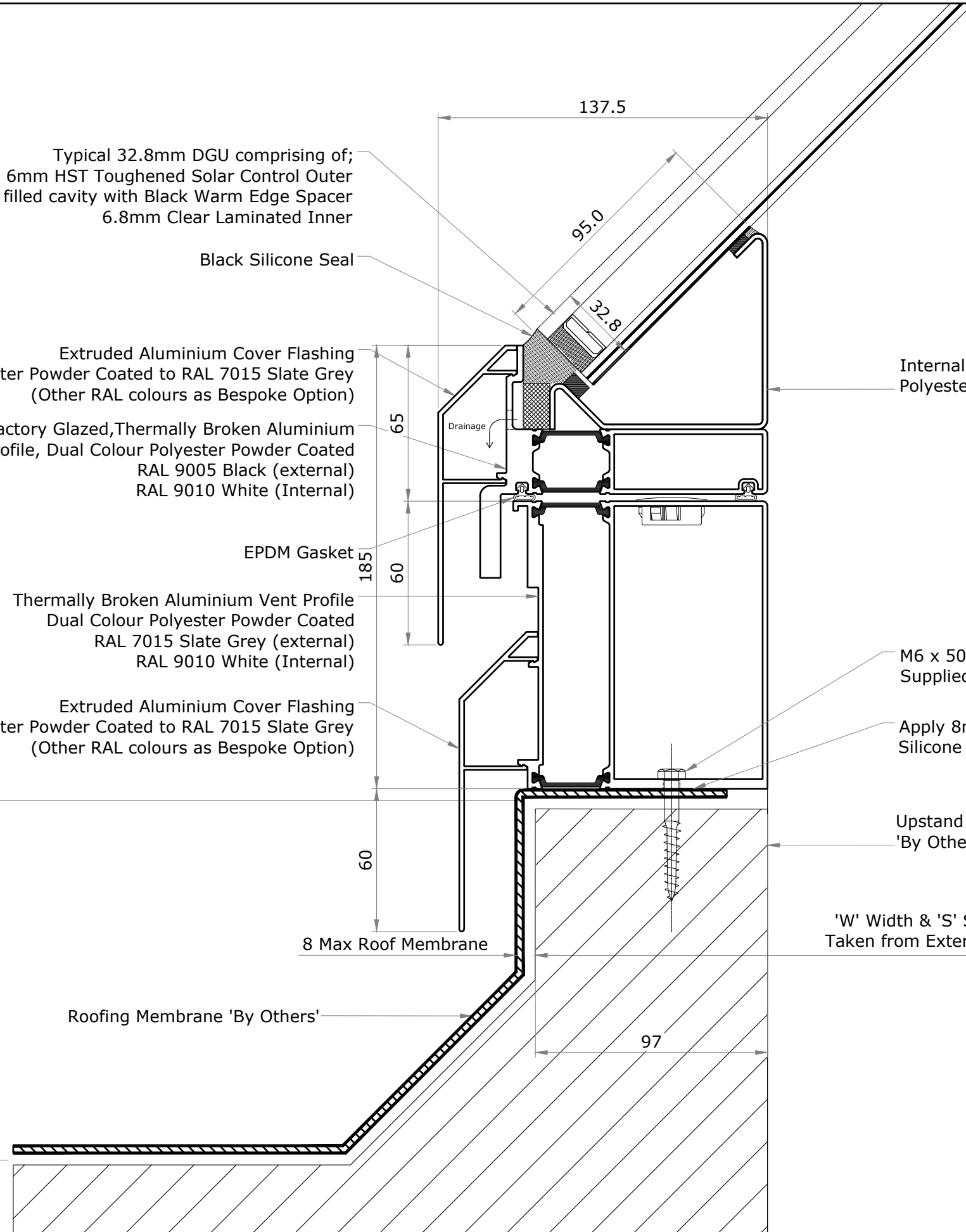
Upstand  
'By Others'

'W' Width & 'S' Span Dimension  
Taken from External Upstand Size

Minimum Kerb/Upstand Height 150mm

Roofing Membrane 'By Others'

8 Max Roof Membrane



**GENERAL NOTES**

1. NO DIMENSIONS ARE TO BE SCALED FROM THIS DRAWING.
2. DISCREPANCIES IN SITE DIMENSIONS TO BE REPORTED TO NEXT GENERATION ROOFLIGHTS.
3. ALL DIMENSIONS IN MILLIMETERS.
4. ALL LEVELS IN METRES.
5. THIS DRAWING REMAINS THE PROPERTY OF VISION AGI LIMITED AND MAY NOT BE COPIED, REPRODUCED OR ITS CONTENTS DIVULGED WITHOUT PRIOR WRITTEN CONSENT FROM VISION AGI LIMITED.

Next Generation Rooflights is a trading name of Vision AGI Limited, Company No. 08429446, Registered Office: 1 Vicarage Lane, Stratford, London, E15 4HF

Rev	Date	Init	Revision

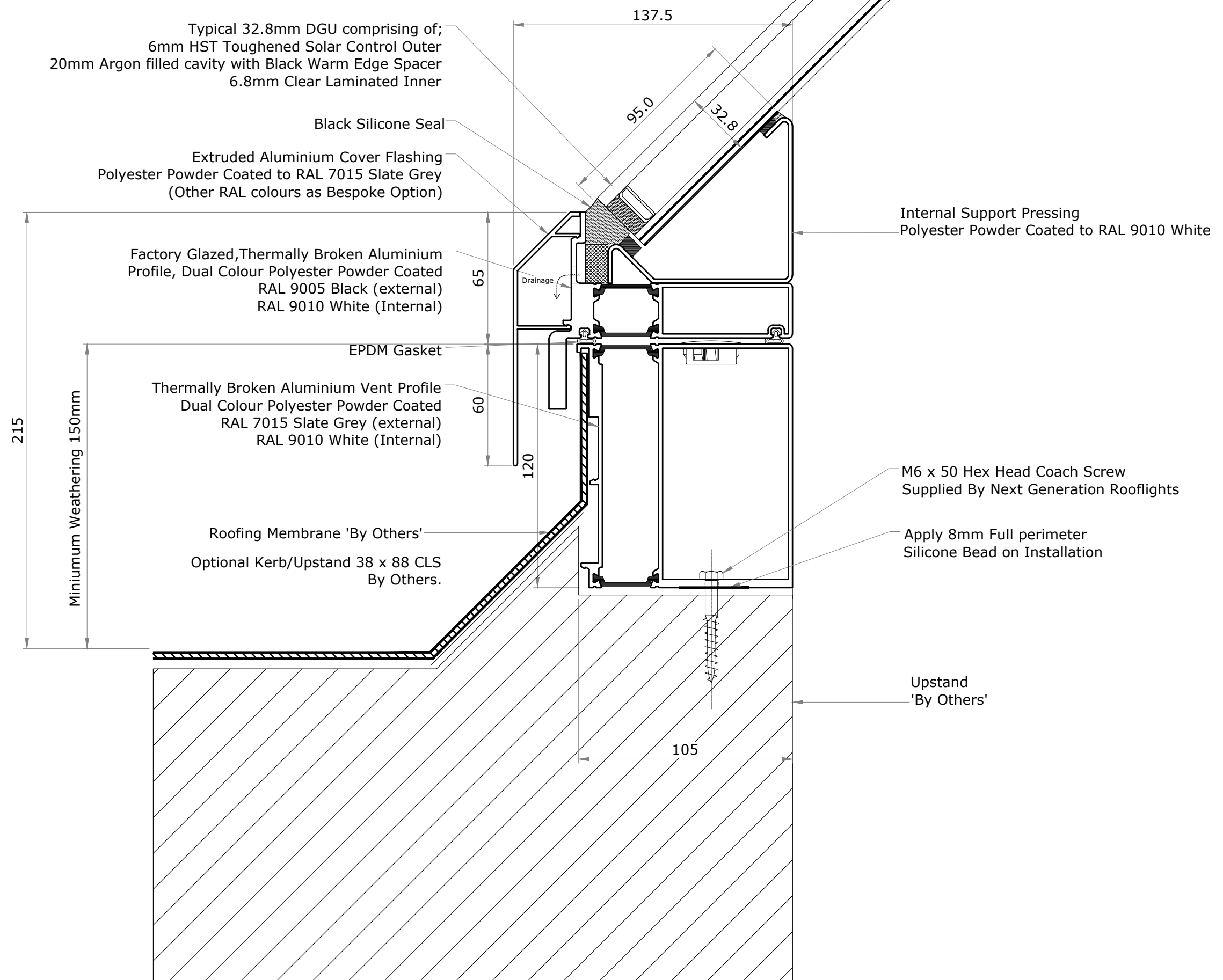
**NEXT GENERATION ROOFLIGHTS**  
Queens Business Park  
Wilbraham Road  
Fulbourn  
Cambridge  
CB21 5GT  
T: 01223 792 224  
E: sales@nextgenrooflights.co.uk  
info@nextgenrooflights.co.uk  
W: nextgenrooflights.co.uk



Client:

Title: Electric Pyramid Rooflight Standard Kerb/Upstand Detail			
Project: Rooflight			
Scales: 1:2 @ A3	Date: 01/07/22	Drawn: GSH	Chk: EW
Drg No.: EPD-01		Rev: -	

07/06/22



**GENERAL NOTES**

1. NO DIMENSIONS ARE TO BE SCALED FROM THIS DRAWING.
2. DISCREPANCIES IN SITE DIMENSIONS TO BE REPORTED TO NEXT GENERATION ROOFLIGHTS.
3. ALL DIMENSIONS IN MILLIMETERS.
4. ALL LEVELS IN METRES.
5. THIS DRAWING REMAINS THE PROPERTY OF VISION AGI LIMITED AND MAY NOT BE COPIED, REPRODUCED OR ITS CONTENTS DIVULGED WITHOUT PRIOR WRITTEN CONSENT FROM VISION AGI LIMITED.

Next Generation Rooflights is a trading name of Vision AGI Limited, Company No. 08429446, Registered Office: 1 Vicarage Lane, Stratford, London, E15 4HF

Rev	Date	Init	Revision

**NEXT GENERATION ROOFLIGHTS**  
 Queens Business Park  
 Wilbraham Road  
 Fulbourn  
 Cambridge  
 CB21 5GT  
 T: 01223 792 224  
 E: sales@nextgenrooflights.co.uk  
 info@nextgenrooflights.co.uk  
 W: nextgenrooflights.co.uk



Client:

Title: Electric Pyramid Rooflight Optional Kerb/Upstand Detail			
Project: Rooflight			
Scales: 1:2 @ A3	Date: 01/07/22	Drawn: GSH	Chk: EW
Drg No.: EPD-02		Rev: -	