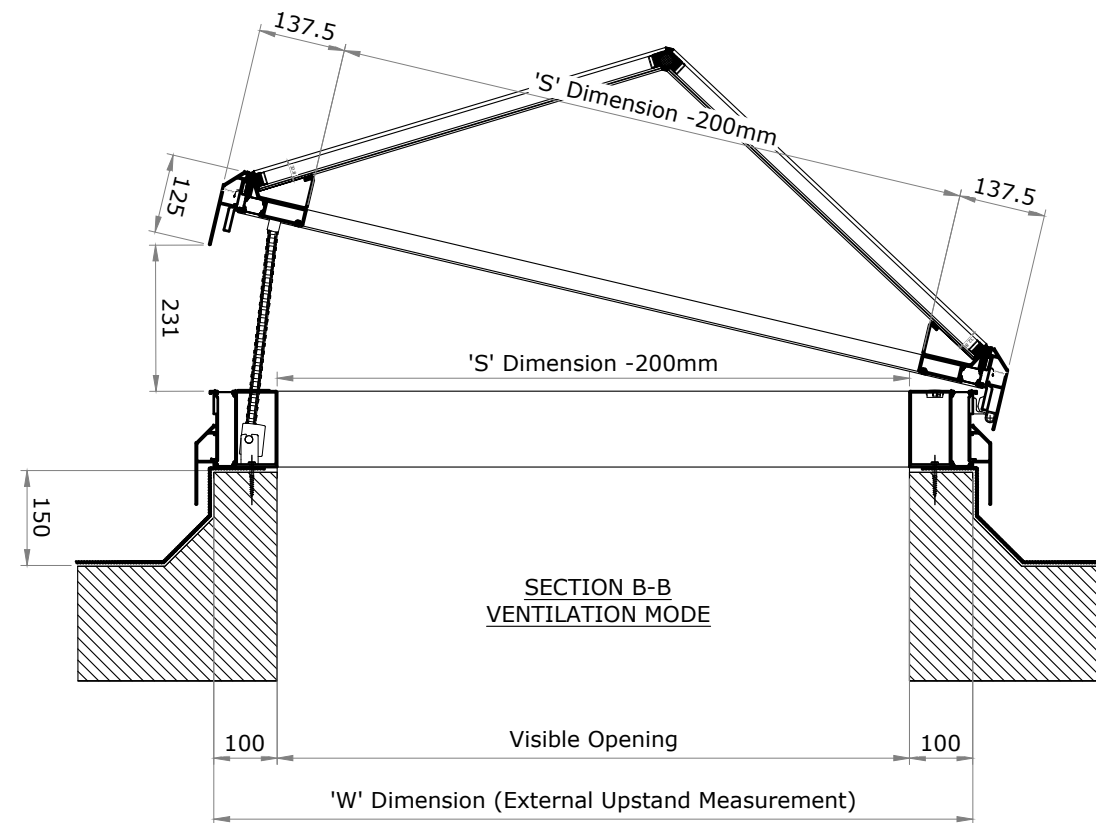
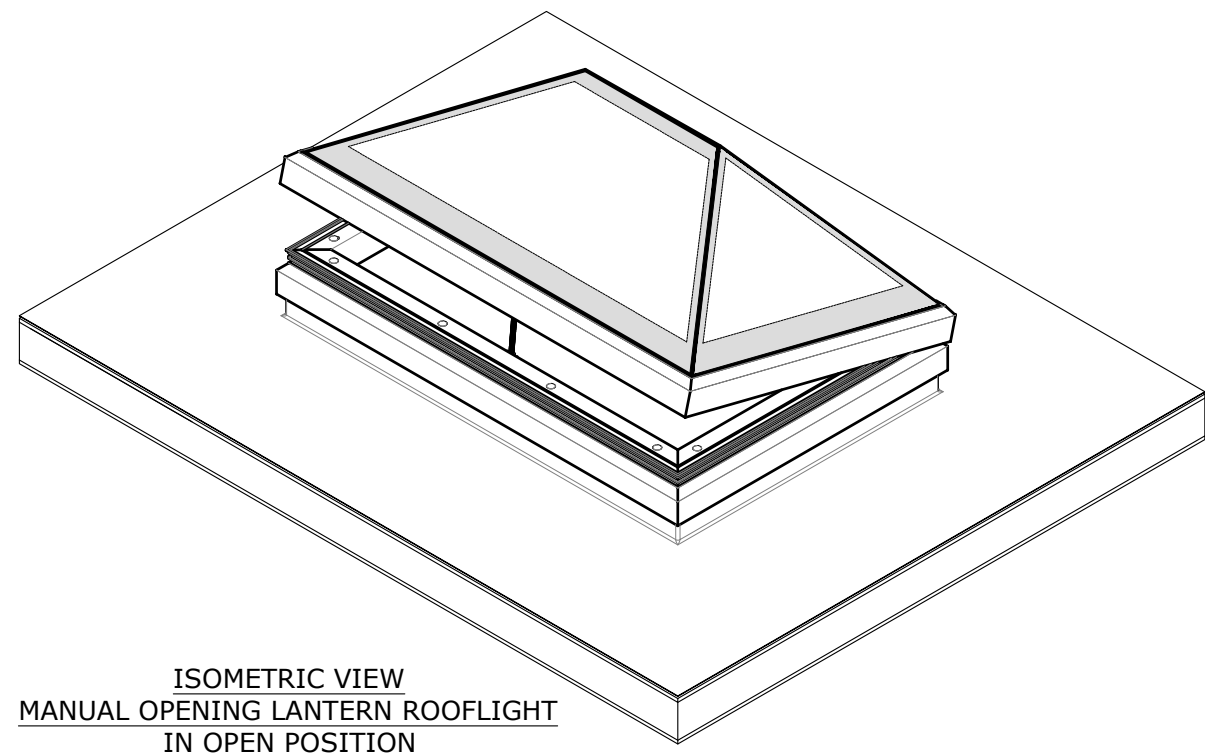


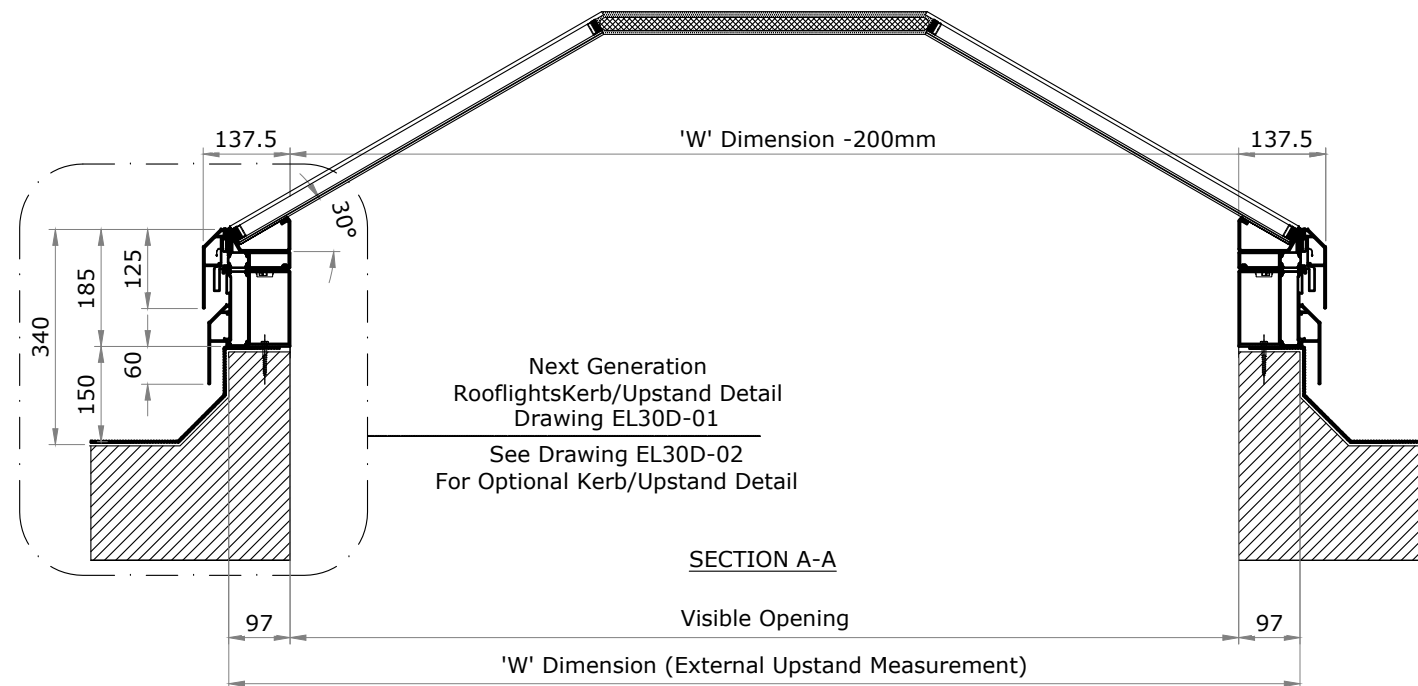
PLAN VIEW  
ELECTRIC OPENING LANTERN ROOFLIGHT  
IN CLOSED POSITION



SECTION B-B  
VENTILATION MODE



ISOMETRIC VIEW  
MANUAL OPENING LANTERN ROOFLIGHT  
IN OPEN POSITION



Next Generation  
RooflightsKerb/Upstand Detail  
Drawing EL30D-01  
See Drawing EL30D-02  
For Optional Kerb/Upstand Detail

SECTION A-A

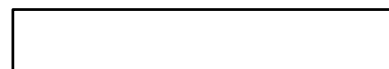
Visible Opening

'W' Dimension (External Upstand Measurement)



GENERAL NOTES

1. NO DIMENSIONS ARE TO BE SCALED FROM THIS DRAWING.
2. DISCREPANCIES IN SITE DIMENSIONS TO BE REPORTED TO NEXT GENERATION ROOFLIGHTS.
3. ALL DIMENSIONS IN MILLIMETERS.
4. ALL LEVELS IN METRES.
5. THIS DRAWING REMAINS THE PROPERTY OF VISION AGI LIMITED AND MAY NOT BE COPIED, REPRODUCED OR IT'S CONTENTS DIVULGED WITHOUT PRIOR WRITTEN CONSENT FROM VISION AGI LIMITED.



Next Generation Rooflights is a trading name of Vision AGI Limited, Company No. 08429446, Registered Office: 1 Vicarage Lane, Stratford, London, E15 4HF

Rev	Date	Init	Revision

**NEXT GENERATION ROOFLIGHTS**  
Queens Business Park  
Wilbraham Road  
Fulbourn  
Cambridge  
CB21 5GT  
T: 01223 792 224  
E: sales@nextgenrooflights.co.uk  
info@nextgenrooflights.co.uk  
W: nextgenrooflights.co.uk



Client:

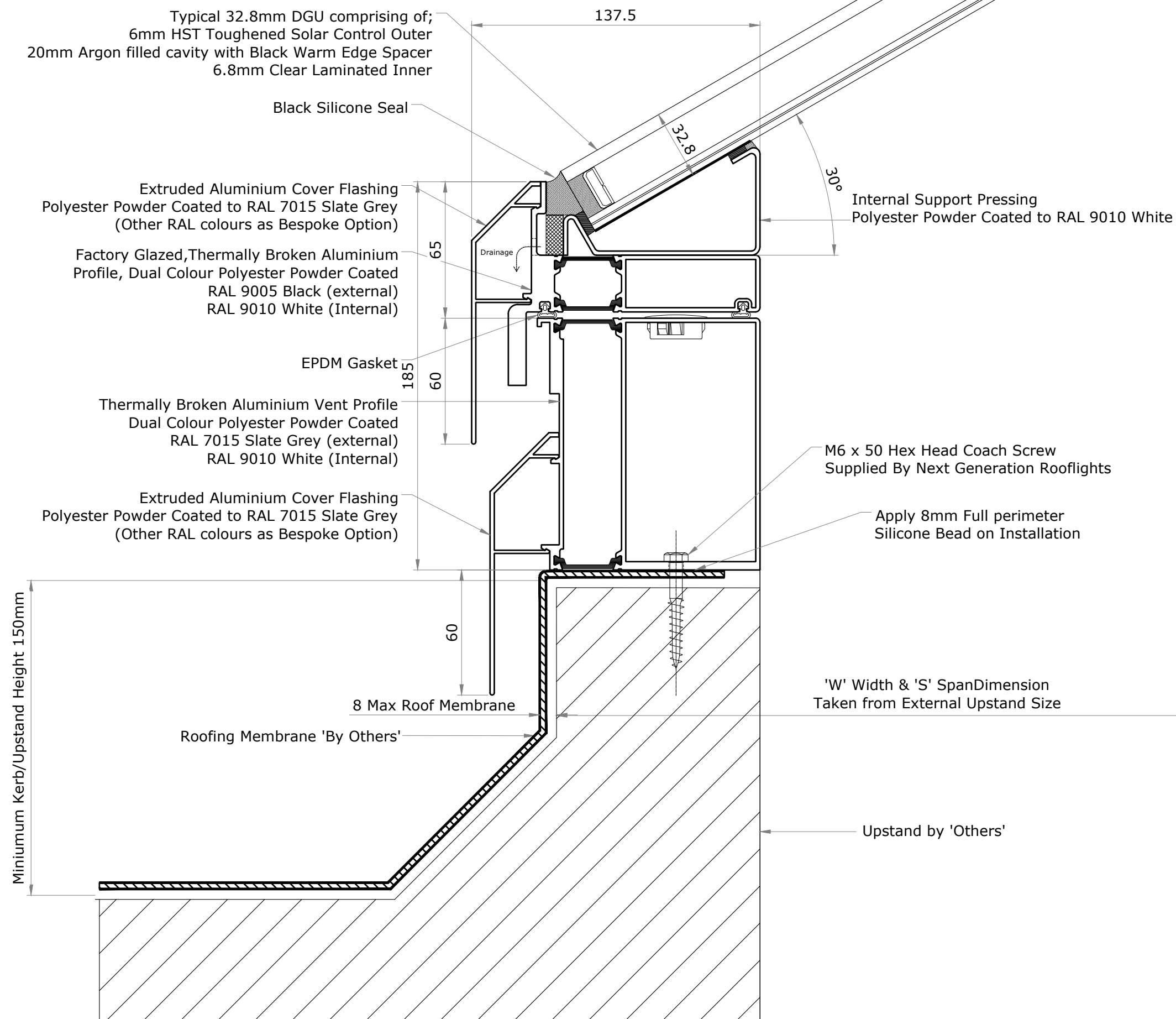
Title: Electric Opening Lantern  
Rooflight - 30 Degree Pitch

Project: Rooflight

Scales: NTS	Date: 01/07/22	Drawn: CWH	Chk: GSH
-------------	----------------	------------	----------

Drg No.: EL30-01

Rev: -



**GENERAL NOTES**

1. NO DIMENSIONS ARE TO BE SCALED FROM THIS DRAWING.
2. DISCREPANCIES IN SITE DIMENSIONS TO BE REPORTED TO NEXT GENERATION ROOFLIGHTS.
3. ALL DIMENSIONS IN MILLIMETERS.
4. ALL LEVELS IN METRES.
5. THIS DRAWING REMAINS THE PROPERTY OF VISION AGI LIMITED AND MAY NOT BE COPIED, REPRODUCED OR IT'S CONTENTS DIVULGED WITHOUT PRIOR WRITTEN CONSENT FROM VISION AGI LIMITED.

Next Generation Rooflights is a trading name of Vision AGI Limited, Company No. 08429446, Registered Office: 1 Vicarage Lane, Stratford, London, E15 4HF

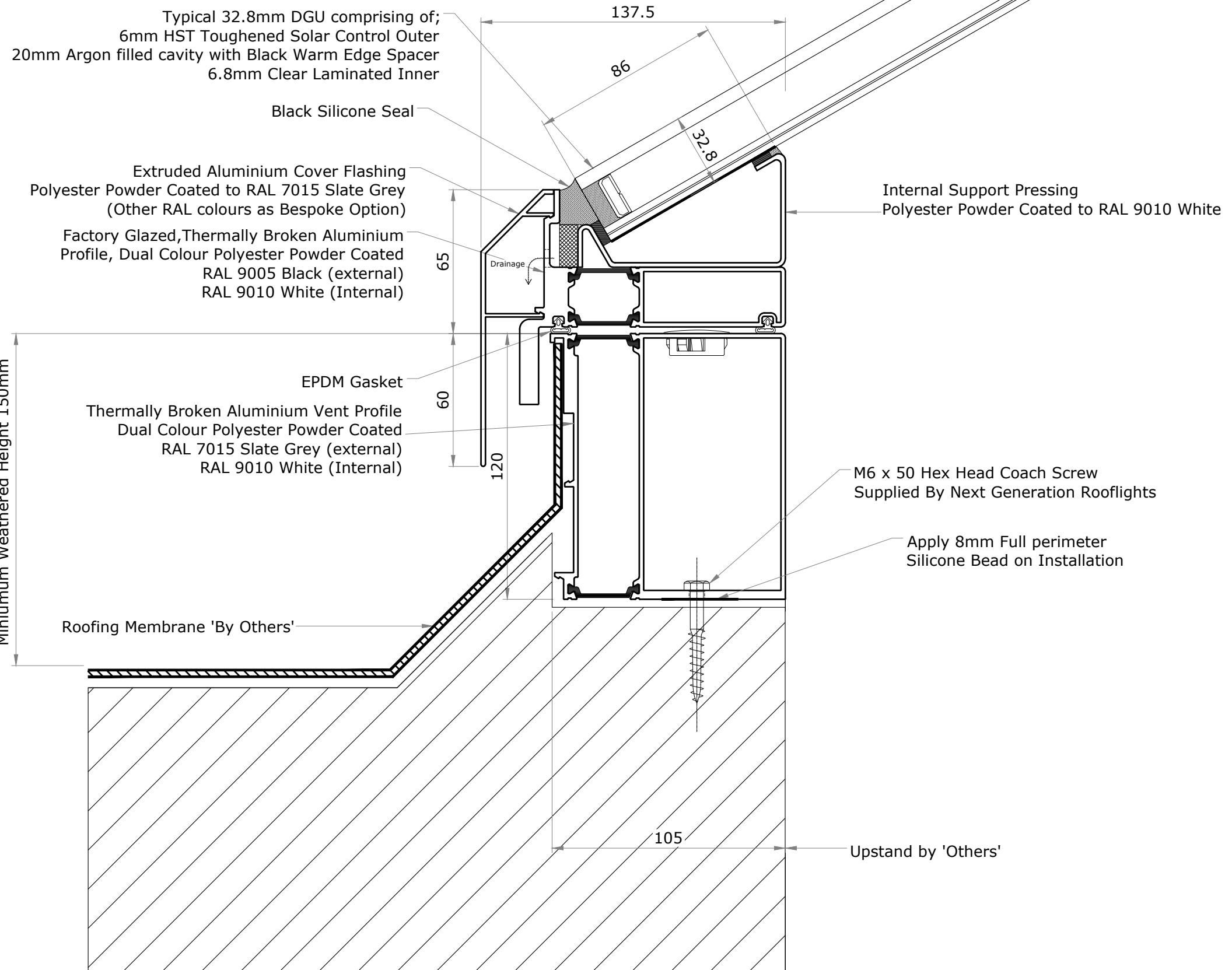
Rev	Date	Init	Revision

**NEXT GENERATION ROOFLIGHTS**  
 Queens Business Park  
 Wilbraham Road  
 Fulbourn  
 Cambridge  
 CB21 5GT  
 T: 01223 792 224  
 E: sales@nextgenrooflights.co.uk  
 info@nextgenrooflights.co.uk  
 W: nextgenrooflights.co.uk



Client:

Title: Electric Lantern Rooflight Standard Kerb/Upstand Detail			
Project: Rooflight			
Scales: 1:2 @ A3	Date: 01/07/22	Drawn: CWH	Chk: GSH
Drg No.: EL30D-01		Rev: -	



**GENERAL NOTES**

1. NO DIMENSIONS ARE TO BE SCALED FROM THIS DRAWING.
2. DISCREPANCIES IN SITE DIMENSIONS TO BE REPORTED TO NEXT GENERATION ROOFLIGHTS.
3. ALL DIMENSIONS IN MILLIMETERS.
4. ALL LEVELS IN METRES.
5. THIS DRAWING REMAINS THE PROPERTY OF VISION AGI LIMITED AND MAY NOT BE COPIED, REPRODUCED OR IT'S CONTENTS DIVULGED WITHOUT PRIOR WRITTEN CONSENT FROM VISION AGI LIMITED.

Next Generation Rooflights is a trading name of Vision AGI Limited, Company No. 08429446, Registered Office: 1 Vicarage Lane, Stratford, London, E15 4HF

Rev	Date	Init	Revision

**NEXT GENERATION ROOFLIGHTS**  
Queens Business Park  
Wilbraham Road  
Fulbourn  
Cambridge  
CB21 5GT  
T: 01223 792 224  
E: sales@nextgenrooflights.co.uk  
info@nextgenrooflights.co.uk  
W: nextgenrooflights.co.uk



Client:

Title: Electric Lantern Rooflight Optional Kerb/Upstand Detail			
Project: Rooflight			
Scales: 1:2 @ A3	Date: 01/07/22	Drawn: GSH	Chk: EW
Drg No.: EL30D-02		Rev: -	