



Bi-Parting Sliding Over Fixed Rooflight Series

- Wide range of sizes available
- Concealed electromechanical drive
- Can open to any position
- Polyester powder-coated aluminium framework
- Can be controlled by phone app
- Thermally efficient
- Secured with multiple locking points
- Provides approximately 50% clear opening
- Up to 16000mm (external Width) in the sliding direction
- Up to 4000mm (external Span) down the fall
- Up to a 45° pitch

Optional

- Access key pad
- Rain sensor
- Light curtain (Anti-trap)
- Temperature sensor



Fully Open Position

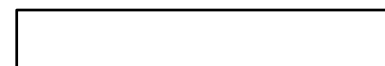


Closed Position



GENERAL NOTES

1. NO DIMENSIONS ARE TO BE SCALED FROM THIS DRAWING.
2. DISCREPANCIES IN SITE DIMENSIONS TO BE REPORTED TO NEXT GENERATION ROOFLIGHTS.
3. ALL DIMENSIONS IN MILLIMETERS.
4. ALL LEVELS IN METRES.
5. THIS DRAWING REMAINS THE PROPERTY OF VISION AGI LIMITED AND MAY NOT BE COPIED, REPRODUCED OR ITS CONTENTS DIVULGED WITHOUT PRIOR WRITTEN CONSENT FROM VISION AGI LIMITED.



Next Generation Rooflights is a trading name of Vision AGI Limited, Company No. 08429446, Registered Office: 1 Vicarage Lane, Stratford, London, E15 4HF

| Rev | Date | Init | Revision |
|-----|------|------|----------|
| | | | |

NEXT GENERATION ROOFLIGHTS
 Queens Business Park
 Wilbraham Road
 Fulbourn
 Cambridge
 CB21 5GT
 T: 01223 792 224
 E: sales@nextgenrooflights.co.uk
 info@nextgenrooflights.co.uk
 W: nextgenrooflights.co.uk

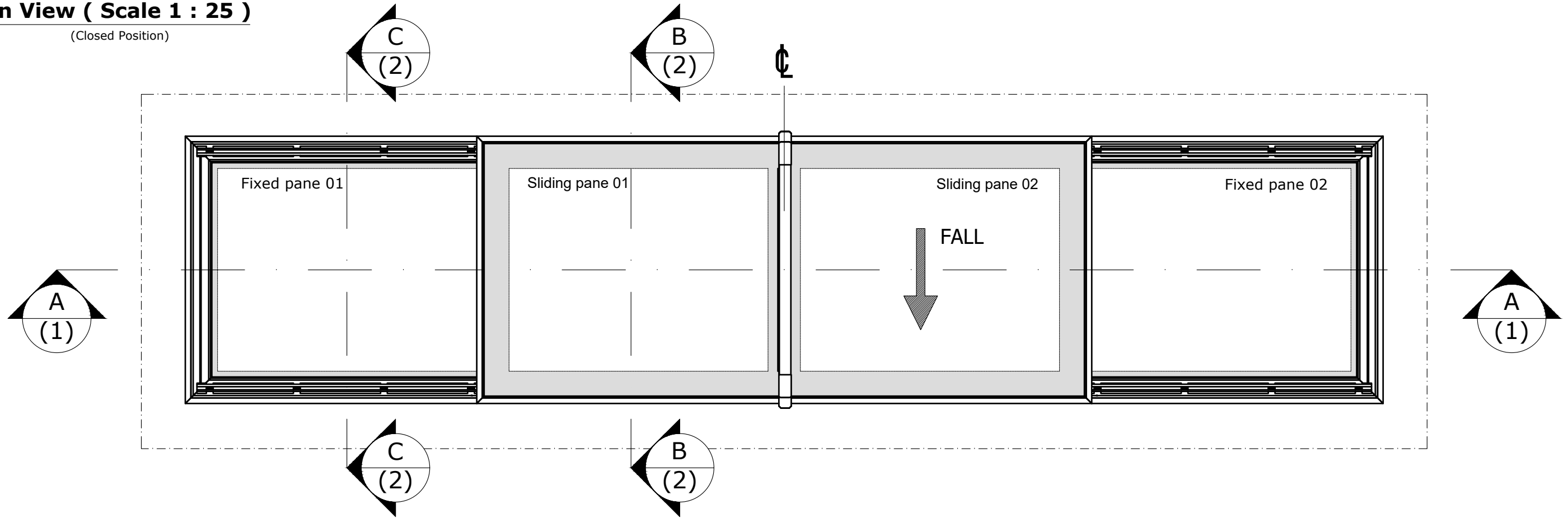


Client:

| | | | |
|---|-------------------|--------------|------------|
| Title: Bi-Parting Sliding Over Fixed 3D Images & Characteristics | | | |
| Project: Rooflight | | | |
| Scales: NTS | Date: 01/07/22 | Drawn: CR | Chk: CR |
| Drg No.: 300-SALES-201(0) | | Rev: - | |

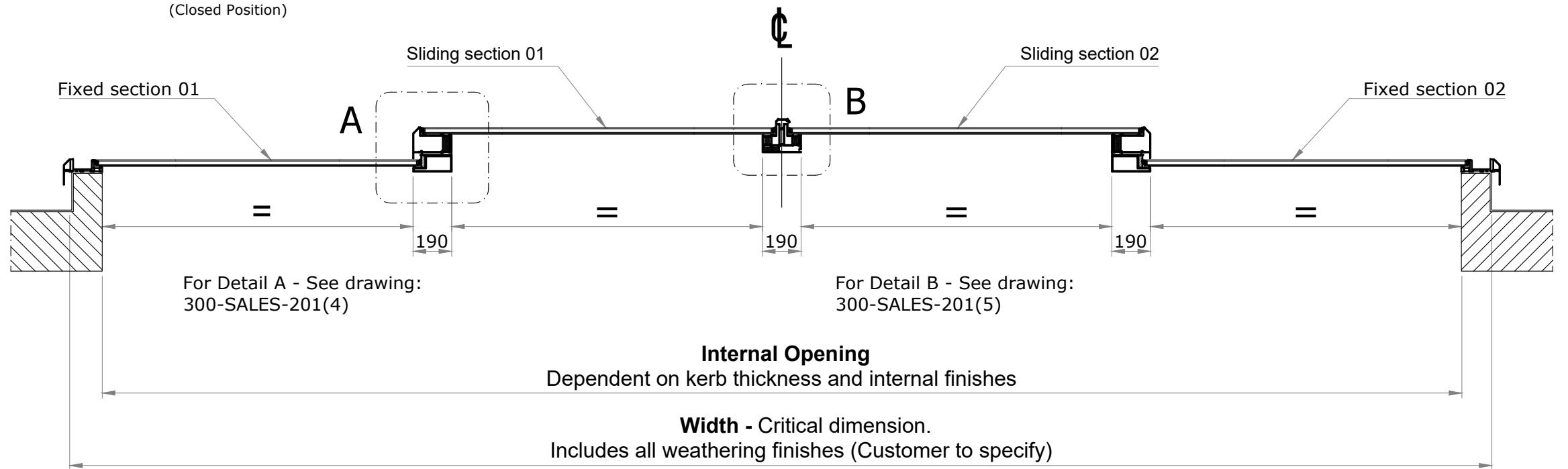
Plan View (Scale 1 : 25)

(Closed Position)



Section A-A (Scale 1 : 25)

(Closed Position)



GLASS CONFORMS TO IMPACT RESISTANCE AND BREAKAGE CHARACTERISTICS OF BS EN 12600:2002. IGUs FABRICATED TO BS EN 1279 AND SUPPLIED IN ACCORDANCE WITH BS 5516-2:2004.

FINISH SPECIFICATION:

POLYESTER POWDER COATED;
MIN 40 MICRONS
STANDARD EXTERNAL COLOUR:
RAL 7015 Slate Grey
STANDARD INTERNAL COLOUR:

FIXING SPECIFICATION:

A2 STAINLESS STEEL
SEALANTS SPECIFICATION:
NEUTRAL CURE TO BS5889
ALL DIMENSIONS mm UNLESS OTHERWISE STATED.



GENERAL NOTES

1. NO DIMENSIONS ARE TO BE SCALED FROM THIS DRAWING.
2. DISCREPANCIES IN SITE DIMENSIONS TO BE REPORTED TO NEXT GENERATION ROOFLIGHTS.
3. ALL DIMENSIONS IN MILLIMETERS.
4. ALL LEVELS IN METRES.
5. THIS DRAWING REMAINS THE PROPERTY OF VISION AGI LIMITED AND MAY NOT BE COPIED, REPRODUCED OR ITS CONTENTS DIVULGED WITHOUT PRIOR WRITTEN CONSENT FROM VISION AGI LIMITED.

Next Generation Rooflights is a trading name of Vision AGI Limited, Company No. 08429446, Registered Office: 1 Vicarage Lane, Stratford, London, E15 4HF

| Rev | Date | Init | Revision |
|-----|------|------|----------|
| | | | |

NEXT GENERATION ROOFLIGHTS
Queens Business Park
Wilbraham Road
Fulbourn
Cambridge
CB21 5GT
T: 01223 792 224
E: sales@nextgenrooflights.co.uk
info@nextgenrooflights.co.uk
W: nextgenrooflights.co.uk

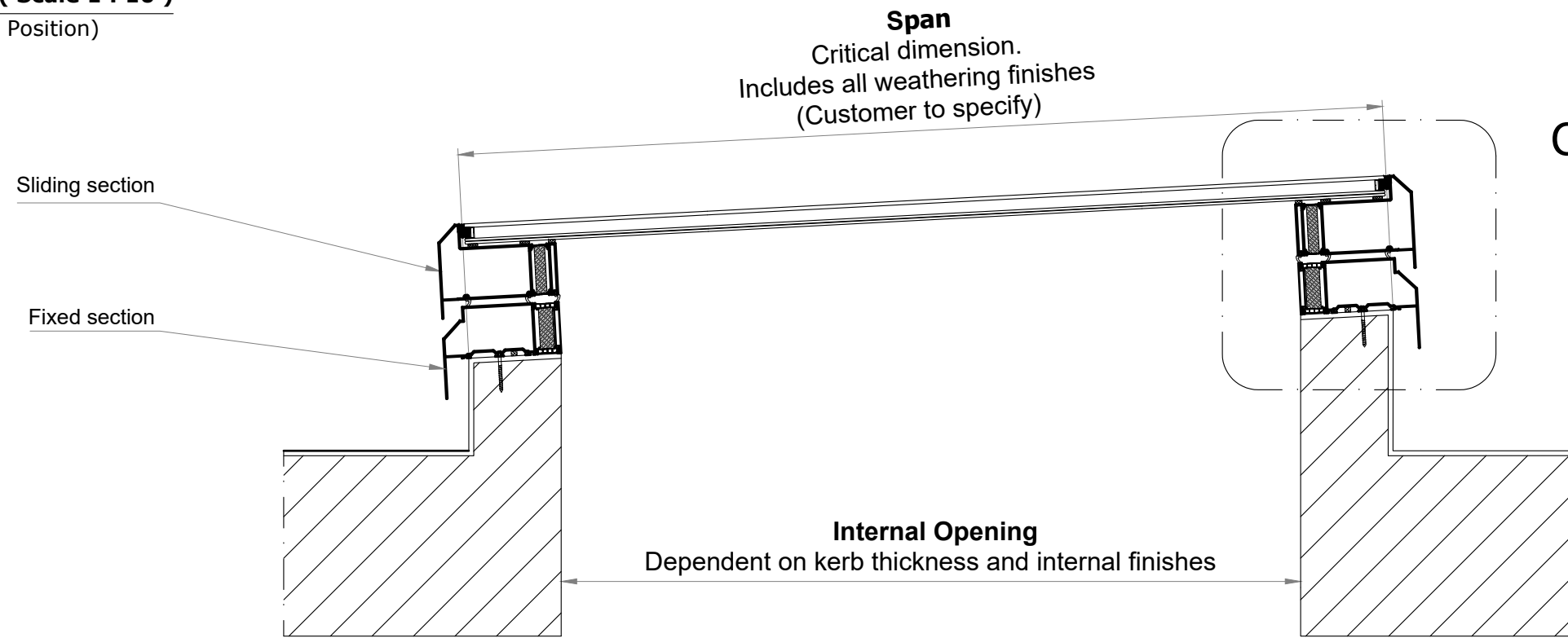


Client:

| | | | |
|---|------------------|--------|--------|
| Title: Bi-Parting Sliding Over Fixed Closed Position | | | |
| Project: Rooflight | | | |
| Scales: | Date: | Drawn: | Chk: |
| 1:25 @ A3 | 01/07/22 | CR | CR |
| Drg No.: | 300-SALES-201(1) | | Rev: - |

Section B-B (Scale 1 : 10)

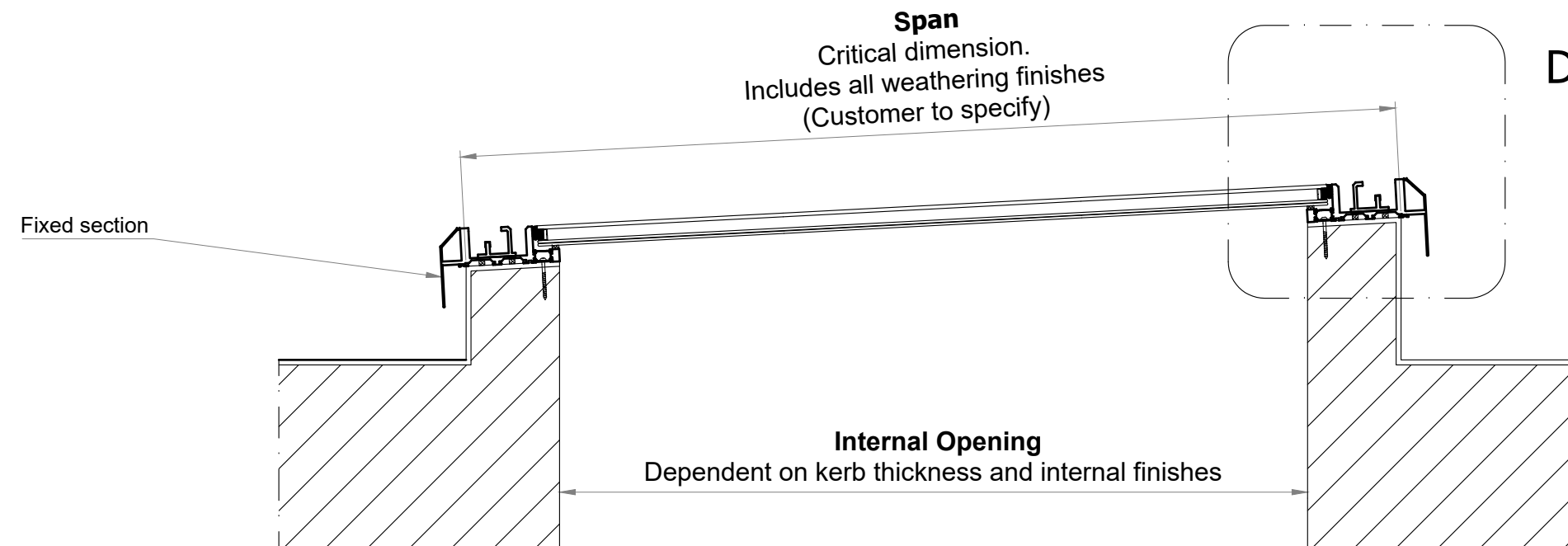
(Closed Position)



For Detail C - See drawing:
300-SALES-201(6)

Section C-C (Scale 1 : 10)

(Closed Position)



For Detail D - See drawing:
300-SALES-201(7)



GENERAL NOTES

1. NO DIMENSIONS ARE TO BE SCALED FROM THIS DRAWING.
2. DISCREPANCIES IN SITE DIMENSIONS TO BE REPORTED TO NEXT GENERATION ROOFLIGHTS.
3. ALL DIMENSIONS IN MILLIMETERS.
4. ALL LEVELS IN METRES.
5. THIS DRAWING REMAINS THE PROPERTY OF VISION AGI LIMITED AND MAY NOT BE COPIED, REPRODUCED OR ITS CONTENTS DIVULGED WITHOUT PRIOR WRITTEN CONSENT FROM VISION AGI LIMITED.

Next Generation Rooflights is a trading name of Vision AGI Limited, Company No. 08429446, Registered Office: 1 Vicarage Lane, Stratford, London, E15 4HF

| Rev | Date | Init | Revision |
|-----|------|------|----------|
| | | | |

NEXT GENERATION ROOFLIGHTS
Queens Business Park
Wilbraham Road
Fulbourn
Cambridge
CB21 5GT
T: 01223 792 224
E: sales@nextgenrooflights.co.uk
info@nextgenrooflights.co.uk
W: nextgenrooflights.co.uk

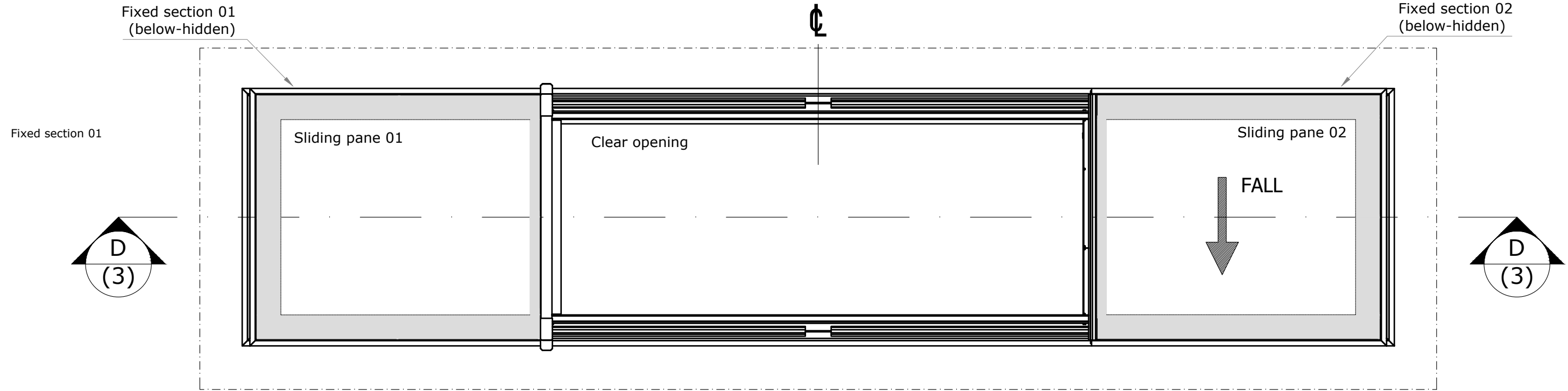


Client:

| | | | |
|--|--------------------------|---------------------|-------------------|
| Title: Bi-Parting Sliding Over Fixed Closed Position Sections | | | |
| Project: Rooflight | | | |
| Scales: 1:10 @ A3 | Date: 01/07/22 | Drawn: CR | Chk: CR |
| Drg No.: 300-SALES-201(2) | | Rev: - | |

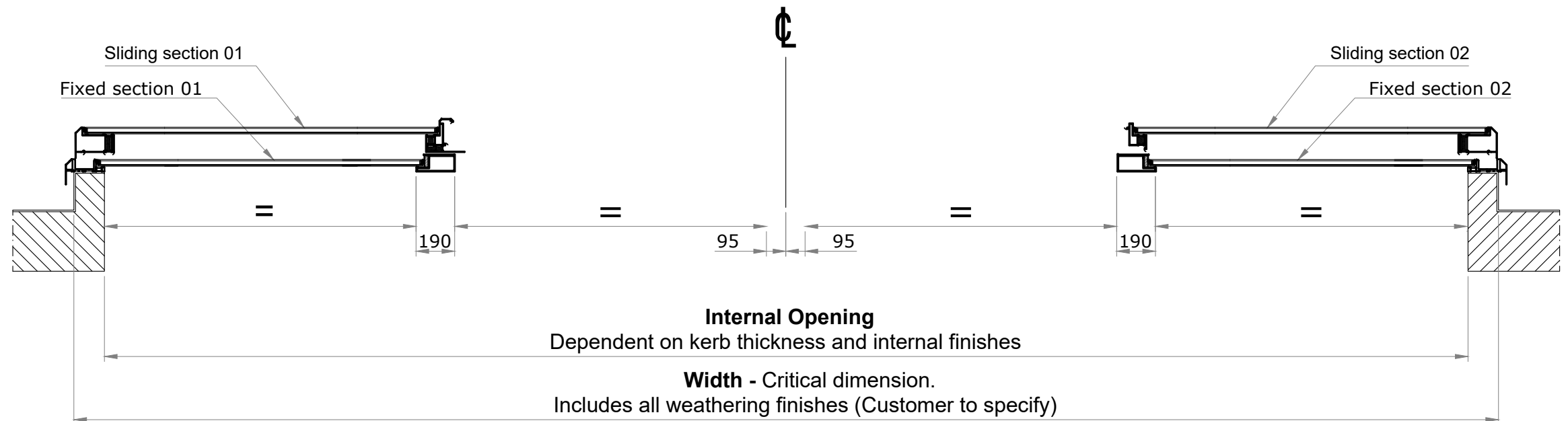
Plan View (Scale 1 : 25)

(Fully Open Position)



Section D-D (Scale 1 : 25)

(Fully Open Position)



GLASS CONFORMS TO IMPACT RESISTANCE AND BREAKAGE CHARACTERISTICS OF BS EN 12600:2002. IGUs FABRICATED TO BS EN 1279 AND SUPPLIED IN ACCORDANCE WITH BS 5516-2:2004.

FINISH SPECIFICATION:

POLYESTER POWDER COATED;
MIN 40 MICRONS
STANDARD EXTERNAL COLOUR:
RAL 7015 Slate Grey
STANDARD INTERNAL COLOUR:
RAL 9010 Pure White

FIXING SPECIFICATION:

A2 STAINLESS STEEL
SEALANTS SPECIFICATION:
NEUTRAL CURE TO BS5889
ALL DIMENSIONS mm UNLESS OTHERWISE STATED.

GENERAL NOTES

1. NO DIMENSIONS ARE TO BE SCALED FROM THIS DRAWING.
2. DISCREPANCIES IN SITE DIMENSIONS TO BE REPORTED TO NEXT GENERATION ROOFLIGHTS.
3. ALL DIMENSIONS IN MILLIMETERS.
4. ALL LEVELS IN METRES.
5. THIS DRAWING REMAINS THE PROPERTY OF VISION AGI LIMITED AND MAY NOT BE COPIED, REPRODUCED OR ITS CONTENTS DIVULGED WITHOUT PRIOR WRITTEN CONSENT FROM VISION AGI LIMITED.

Next Generation Rooflights is a trading name of Vision AGI Limited, Company No. 08429446, Registered Office: 1 Vicarage Lane, Stratford, London, E15 4HF

| Rev | Date | Init | Revision |
|-----|------|------|----------|
| | | | |

NEXT GENERATION ROOFLIGHTS
Queens Business Park
Wilbraham Road
Fulbourn
Cambridge
CB21 5GT
T: 01223 792 224
E: sales@nextgenrooflights.co.uk
info@nextgenrooflights.co.uk
W: nextgenrooflights.co.uk



Client:

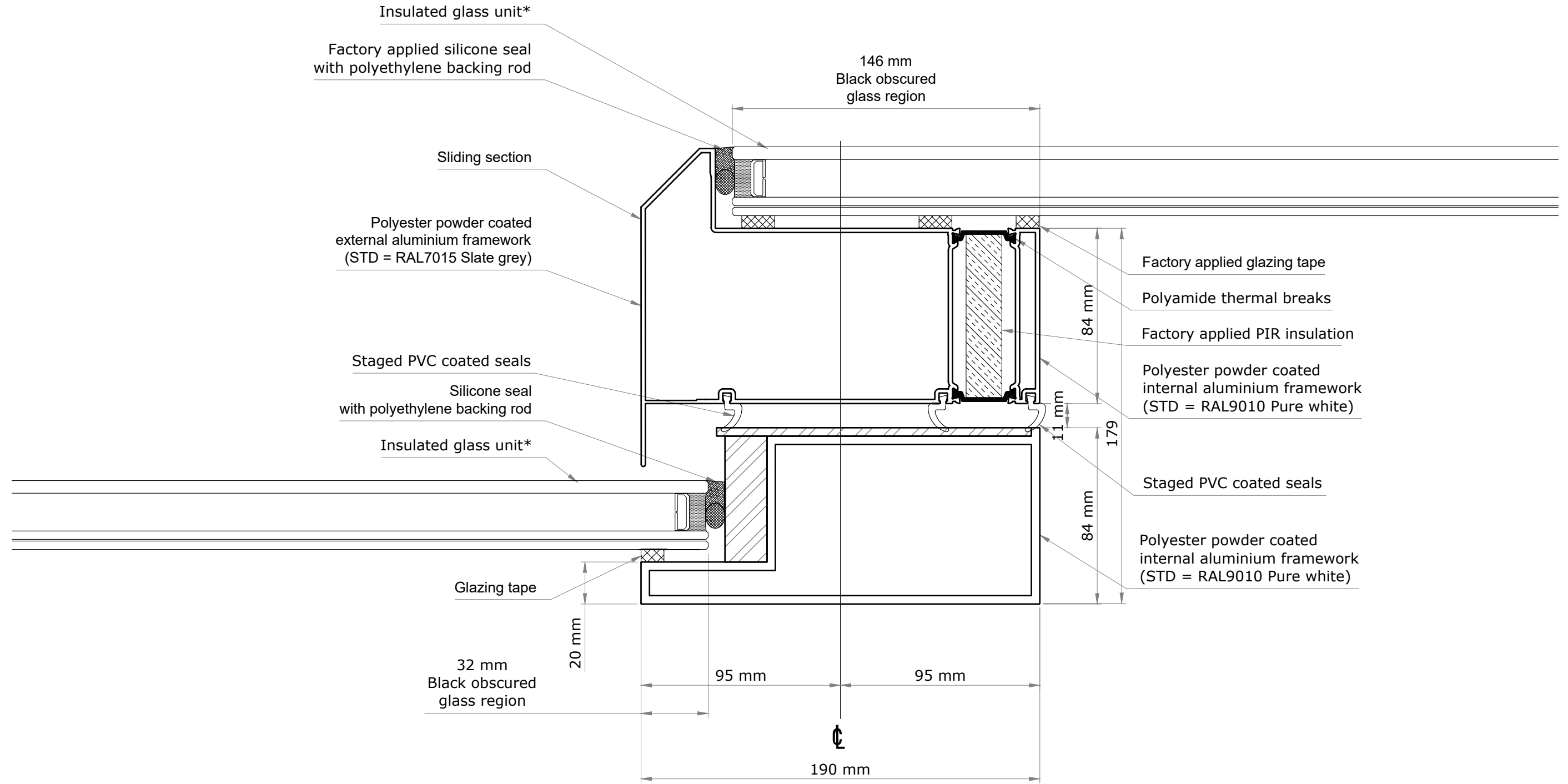
Title: **Bi-Parting Sliding Over Fixed Fully Open Position**

Project: **Rooflight**

| | | | |
|-------------------|----------------|-----------|---------|
| Scales: 1:25 @ A3 | Date: 01/07/22 | Drawn: CR | Chk: CR |
|-------------------|----------------|-----------|---------|

| | |
|---------------------------|--------|
| Drg No.: 300-SALES-201(3) | Rev: - |
|---------------------------|--------|

Detail A (Scale 1:2)
(Closed Position)



*Varies - dependent on glass specification

For Detail A location see drawing:
300-SALES-201(1)

| Rev | Date | Init | Revision |
|-----|------|------|----------|
| | | | |

GENERAL NOTES

- NO DIMENSIONS ARE TO BE SCALED FROM THIS DRAWING.
- DISCREPANCIES IN SITE DIMENSIONS TO BE REPORTED TO NEXT GENERATION ROOFLIGHTS.
- ALL DIMENSIONS IN MILLIMETERS.
- ALL LEVELS IN METRES.
- THIS DRAWING REMAINS THE PROPERTY OF VISION AGI LIMITED AND MAY NOT BE COPIED, REPRODUCED OR ITS CONTENTS DIVULGED WITHOUT PRIOR WRITTEN CONSENT FROM VISION AGI LIMITED.

Next Generation Rooflights is a trading name of Vision AGI Limited, Company No. 08429446, Registered Office: 1 Vicarage Lane, Stratford, London, E15 4HF

| | | | |
|--|--|--|--|
| <p>NEXT GENERATION ROOFLIGHTS Queens Business Park Wilbraham Road Fulbourn Cambridge CB21 5GT T: 01223 792 224 E: sales@nextgenrooflights.co.uk info@nextgenrooflights.co.uk W: nextgenrooflights.co.uk</p> | | | |
|--|--|--|--|

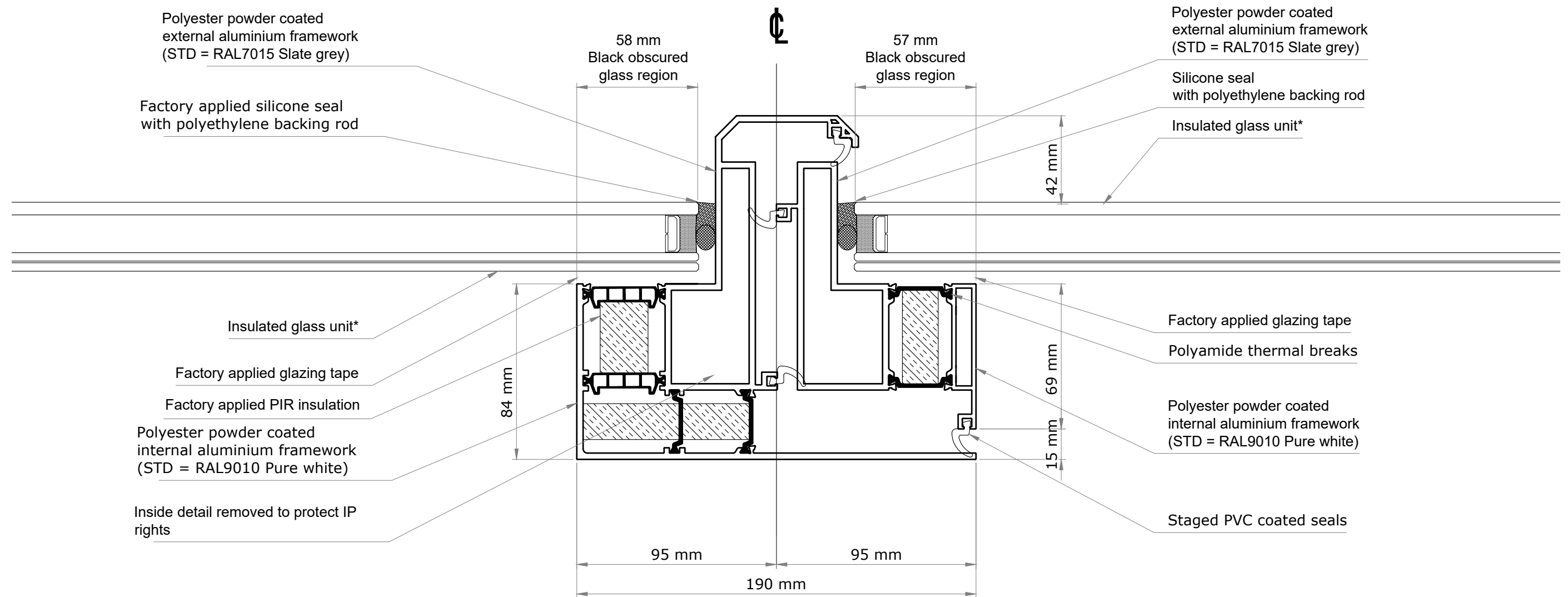


NEXT GENERATION ROOFLIGHTS

Client:


| | | | |
|---|-----------------------|------------------|----------------|
| <p>Title: Bi-Parting Sliding Over Fixed Detail A</p> | | | |
| <p>Project: Rooflight</p> | | | |
| <p>Scales: 1:2 @ A3</p> | <p>Date: 01/07/22</p> | <p>Drawn: CR</p> | <p>Chk: CR</p> |
| <p>Drg No.: 300-SALES-201(4)</p> | | | <p>Rev: -</p> |

Detail B (Scale 1:2)
(Closed Position)

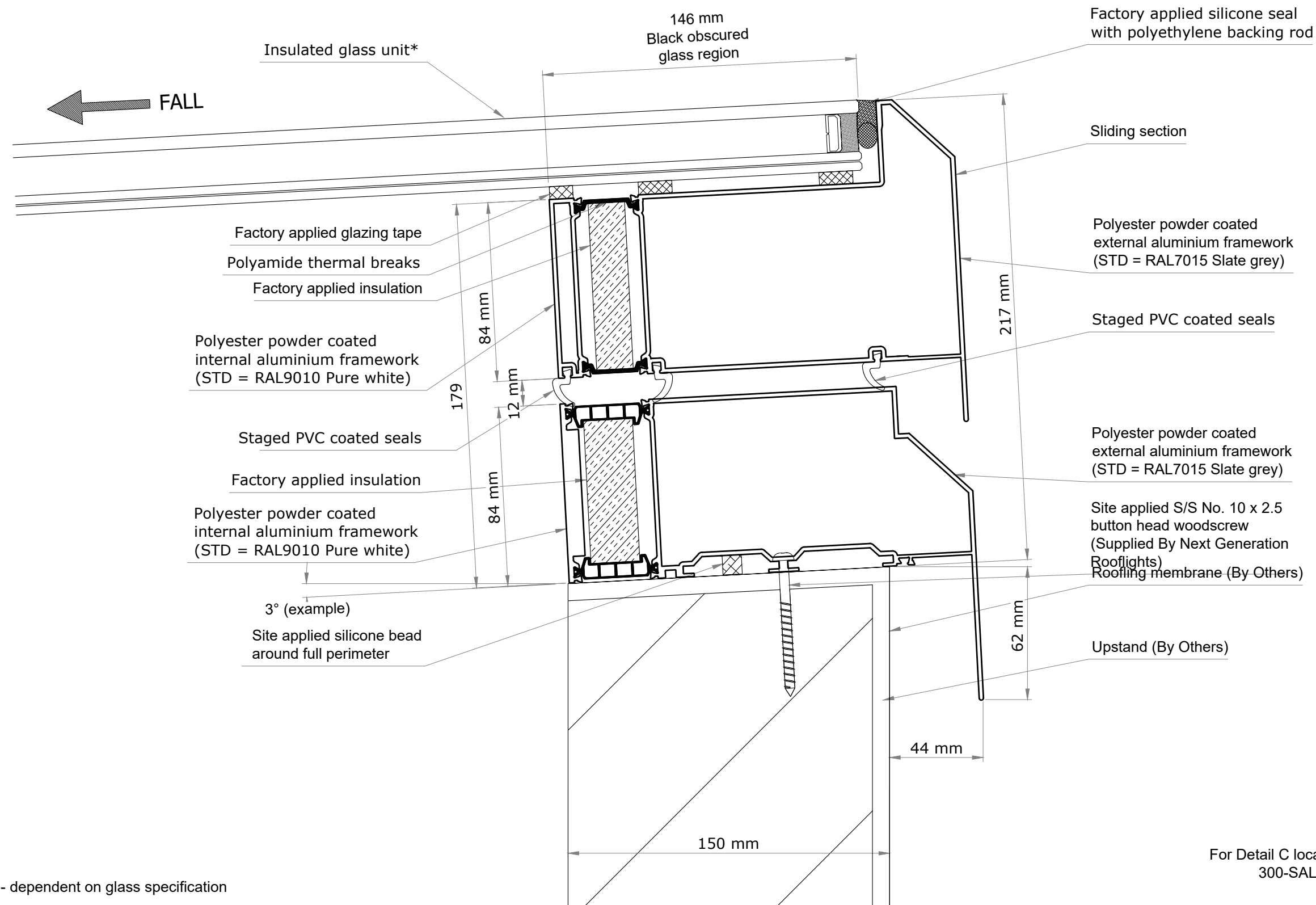


*Varies - dependent on glass specification

For Detail B location see drawing:
300-SALES-201(1)

| | | | | | | | | | | |
|--|---------------------------|------|----------------|-----------|--|---------|--|--|--|--|
| <p>GENERAL NOTES</p> <p>1. NO DIMENSIONS ARE TO BE SCALED FROM THIS DRAWING. 2. DISCREPANCIES IN SITE DIMENSIONS TO BE REPORTED TO NEXT GENERATION ROOFLIGHTS. 3. ALL DIMENSIONS IN MILLIMETERS. 4. ALL LEVELS IN METRES. 5. THIS DRAWING REMAINS THE PROPERTY OF VISION AGI LIMITED AND MAY NOT BE COPIED, REPRODUCED OR ITS CONTENTS DIVULGED WITHOUT PRIOR WRITTEN CONSENT FROM VISION AGI LIMITED.</p> <p><small>Next Generation Rooflights is a trading name of Vision AGI Limited, Company No. 08429446, Registered Office: 1 Vicarage Lane, Stratford, London, E15 4HF</small></p> | Rev | Date | Init | Revision | <p>NEXT GENERATION ROOFLIGHTS Queens Business Park Wilbraham Road Fulbourn Cambridge CB21 5GT T: 01223 792 224 E: sales@nextgenrooflights.co.uk info@nextgenrooflights.co.uk W: nextgenrooflights.co.uk</p>  | Client: | Title: Bi-Parting Sliding Over Fixed Detail B | | | |
| | Project: Rooflight | | | | | | | | | |
| | Scales: 1:2 @ A3 | | Date: 01/07/22 | Drawn: CR | | | Chk: CR | | | |
| | Drg No.: 300-SALES-201(5) | | | | | | Rev: - | | | |
| | | | | | | | | | | |

Detail C (Scale 1:2)
(Closed Position)



*Varies - dependent on glass specification

For Detail C location see drawing:
300-SALES-201(2)

| Rev | Date | Init | Revision |
|-----|------|------|----------|
| | | | |


GENERAL NOTES

- NO DIMENSIONS ARE TO BE SCALED FROM THIS DRAWING.
- DISCREPANCIES IN SITE DIMENSIONS TO BE REPORTED TO NEXT GENERATION ROOFLIGHTS.
- ALL DIMENSIONS IN MILLIMETERS.
- ALL LEVELS IN METRES.
- THIS DRAWING REMAINS THE PROPERTY OF VISION AGI LIMITED AND MAY NOT BE COPIED, REPRODUCED OR ITS CONTENTS DIVULGED WITHOUT PRIOR WRITTEN CONSENT FROM VISION AGI LIMITED.

Next Generation Rooflights is a trading name of Vision AGI Limited, Company No. 08429446, Registered Office: 1 Vicarage Lane, Stratford, London, E15 4HF

| Rev | Date | Init | Revision |
|-----|------|------|----------|
| | | | |

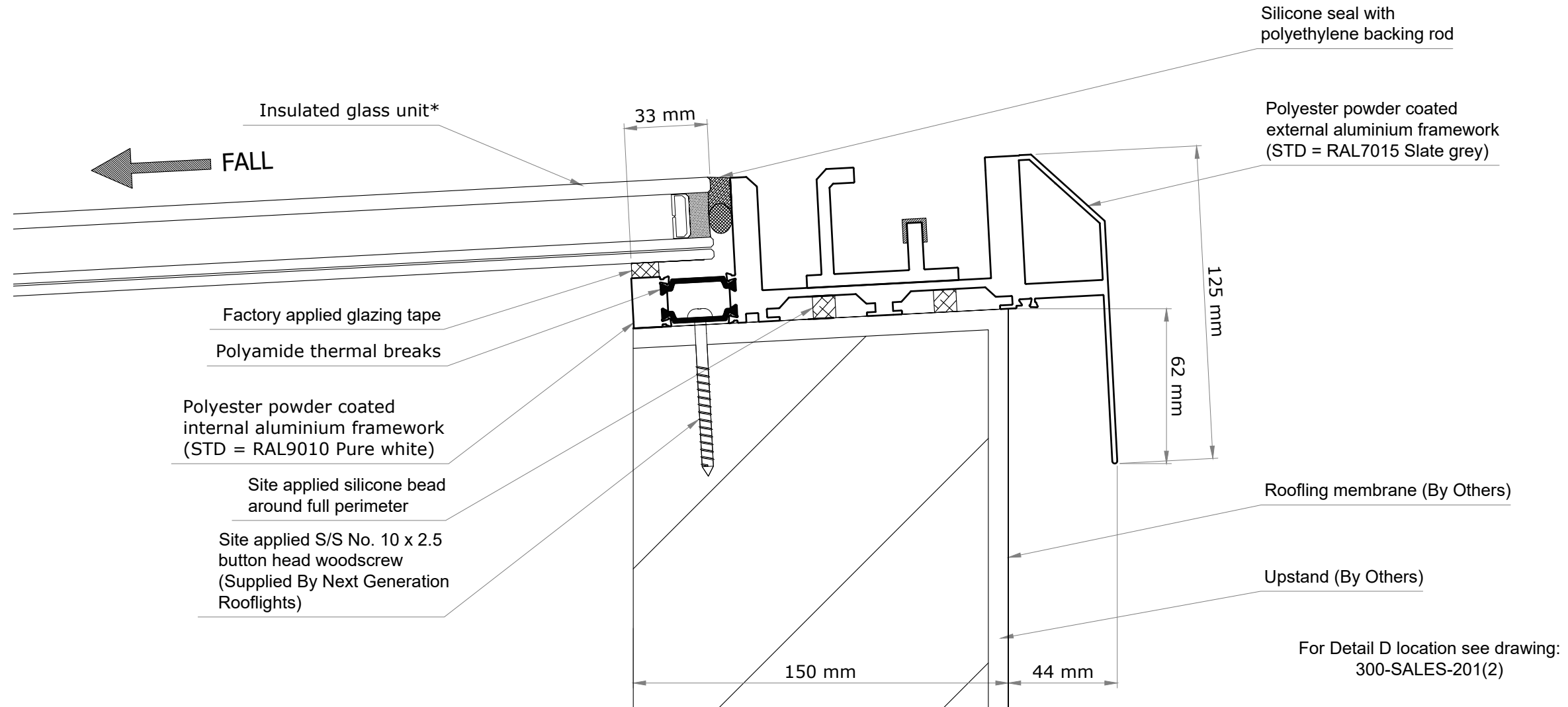
NEXT GENERATION ROOFLIGHTS
Queens Business Park
Wilbraham Road
Fulbourn
Cambridge
CB21 5GT
T: 01223 792 224
E: sales@nextgenrooflights.co.uk
info@nextgenrooflights.co.uk
W: nextgenrooflights.co.uk



Client:

| | | | |
|---|----------------|-----------|---------|
| Title: Bi-Parting Sliding Over Fixed Detail C | | | |
| Project: Rooflight | | | |
| Scales: 1:2 @ A3 | Date: 01/07/22 | Drawn: CR | Chk: CR |
| Drg No.: 300-SALES-201(6) | | Rev: - | |

Detail D (Scale 1:2)
(Closed Position)



*Varies - dependent on glass specification

| GENERAL NOTES | |
|--|--|
| 1. NO DIMENSIONS ARE TO BE SCALED FROM THIS DRAWING. | |
| 2. DISCREPANCIES IN SITE DIMENSIONS TO BE REPORTED TO NEXT GENERATION ROOFLIGHTS. | |
| 3. ALL DIMENSIONS IN MILLIMETERS. | |
| 4. ALL LEVELS IN METRES. | |
| 5. THIS DRAWING REMAINS THE PROPERTY OF VISION AGI LIMITED AND MAY NOT BE COPIED, REPRODUCED OR ITS CONTENTS DIVULGED WITHOUT PRIOR WRITTEN CONSENT FROM VISION AGI LIMITED. | |
| Next Generation Rooflights is a trading name of Vision AGI Limited, Company No. 08429446, Registered Office: 1 Vicarage Lane, Stratford, London, E15 4HF | |

| Rev | Date | Init | Revision |
|-----|------|------|----------|
| | | | |

NEXT GENERATION ROOFLIGHTS
 Queens Business Park
 Wilbraham Road
 Fulbourn
 Cambridge
 CB21 5GT
 T: 01223 792 224
 E: sales@nextgenrooflights.co.uk
 info@nextgenrooflights.co.uk
 W: nextgenrooflights.co.uk



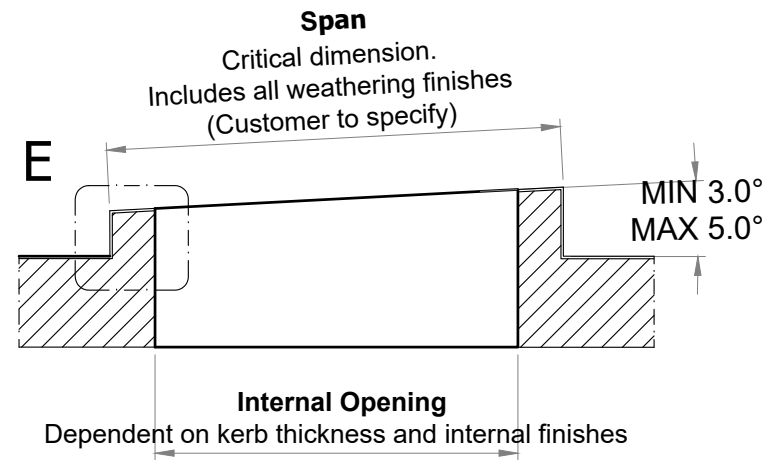
Client:

| | | | |
|---|----------------|-----------|---------|
| Title: Bi-Parting Sliding Over Fixed Detail D | | | |
| Project: Rooflight | | | |
| Scales: 1:2 @ A3 | Date: 01/07/22 | Drawn: CR | Chk: CR |
| Drg No.: 300-SALES-201(7) | | Rev: - | |

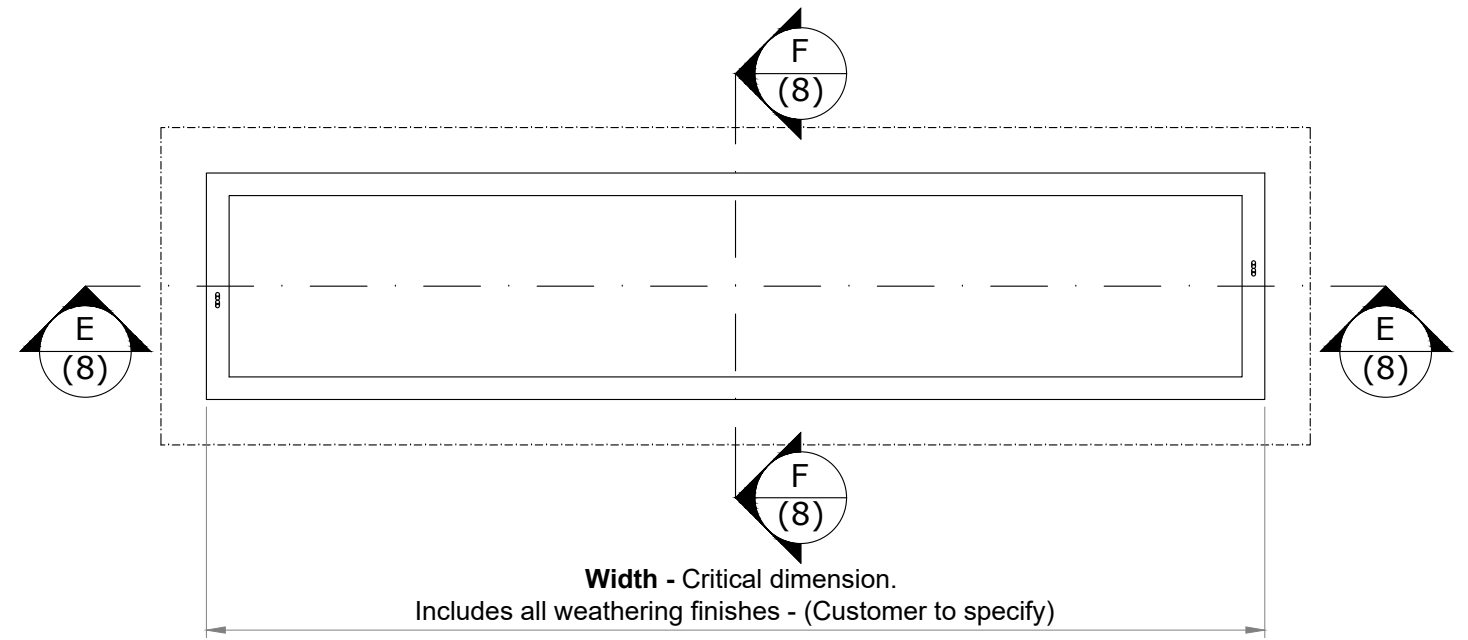
Upstand Drawing 3°-5°

(For flat roofs)

For Detail E - See drawing:
300-SALES-201(8)



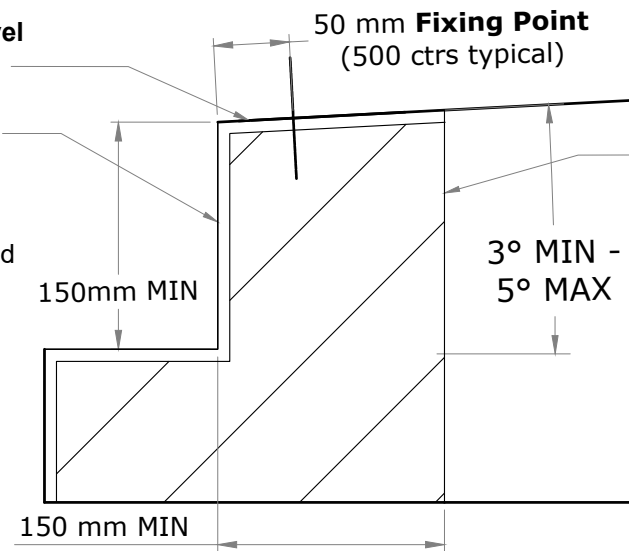
Section F-F (Scale 1 : 25)



Plan View (Scale 1:50)

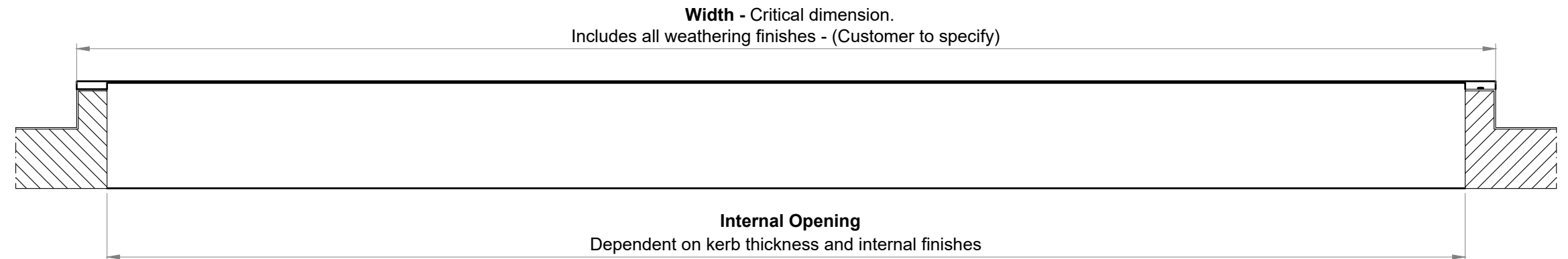
***Top face must be level
with rail upstands**

***External weathering**
Membranes may be wrapped over the top face. Lead or other metallic weathering must not extend over the top face. (By Others)



***Fully weathered Structural Upstand.** Must provide secure fixing point and support the rooflight. There must be no steps or undulations on the top surface that exceed ±2mm (By Others)

Detail E (Scale 1:5)



Section E-E (Scale 1 : 25)

GENERAL NOTES

1. NO DIMENSIONS ARE TO BE SCALED FROM THIS DRAWING.
2. DISCREPANCIES IN SITE DIMENSIONS TO BE REPORTED TO NEXT GENERATION ROOFLIGHTS.
3. ALL DIMENSIONS IN MILLIMETERS.
4. ALL LEVELS IN METRES.
5. THIS DRAWING REMAINS THE PROPERTY OF VISION AGI LIMITED AND MAY NOT BE COPIED, REPRODUCED OR ITS CONTENTS DIVULGED WITHOUT PRIOR WRITTEN CONSENT FROM VISION AGI LIMITED.

Next Generation Rooflights is a trading name of Vision AGI Limited, Company No. 08429446, Registered Office: 1 Vicarage Lane, Stratford, London, E15 4HF

| Rev | Date | Init | Revision |
|-----|------|------|----------|
| | | | |

NEXT GENERATION ROOFLIGHTS
Queens Business Park
Wilbraham Road
Fulbourn
Cambridge
CB21 5GT
T: 01223 792 224
E: sales@nextgenrooflights.co.uk
info@nextgenrooflights.co.uk
W: nextgenrooflights.co.uk



Client:

Title: Bi-Parting Sliding Over Fixed
Upstand drawing (3°-5°)

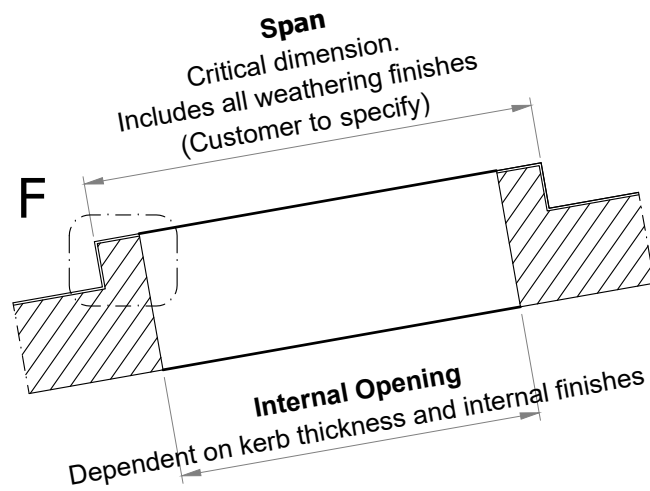
Project: Rooflight

| | | | |
|-------------------------------|-------------------|--------------|------------|
| Scales: As indicated above | Date: 01/07/22 | Drawn: CR | Chk: CR |
| Drg No.: 300-SALES-201(8) | | Rev: - | |

Upstand Drawing 5°-45°

(Parallel to pitched roof)

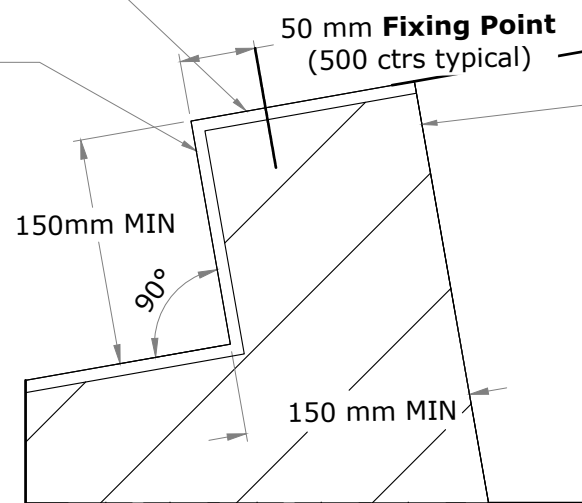
For Detail F - See drawing:
300-SALES-201(9)



Section H-H (Scale 1 : 25)

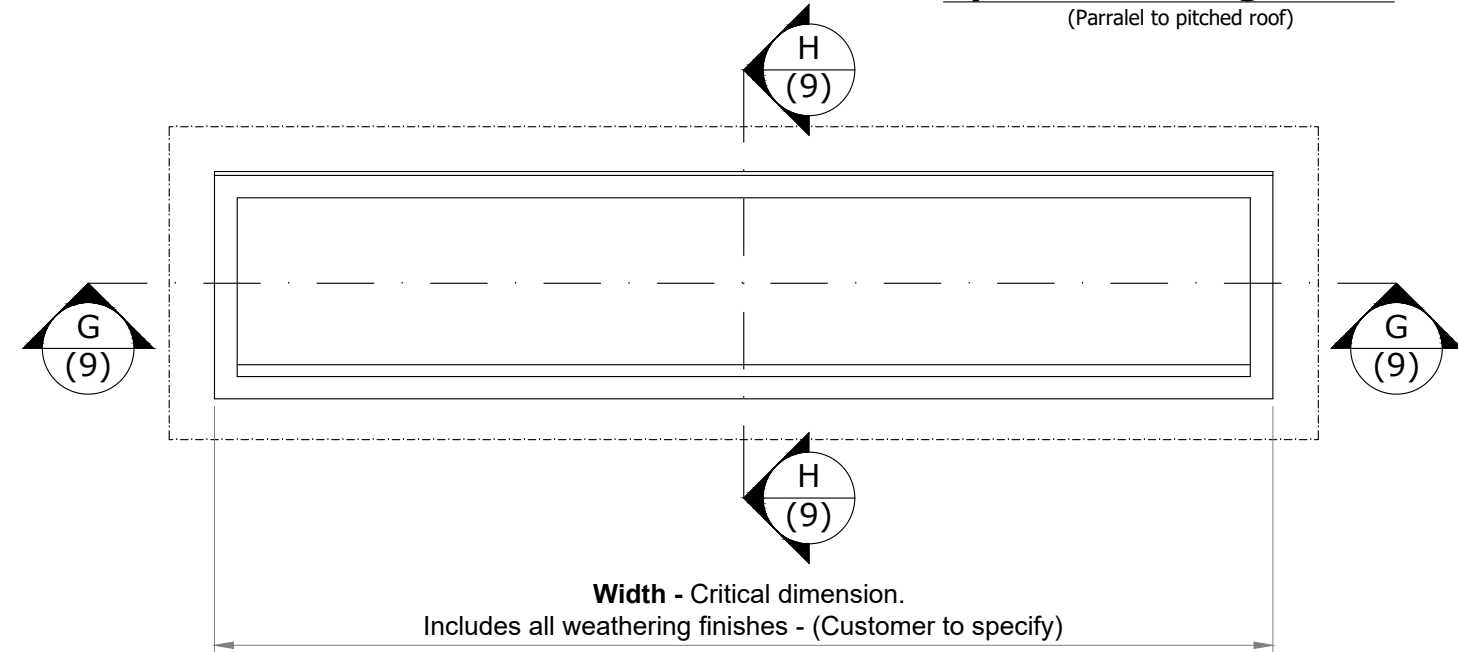
***Top face must be level with rail upstands**

***External weathering**
Membranes may be wrapped over the top face. Lead or other metallic weathering must not extend over the top face. (By Others)



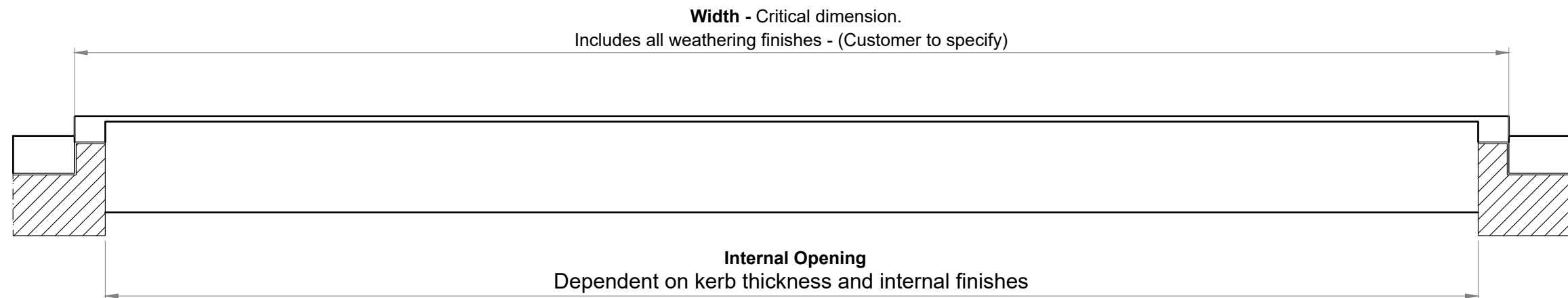
***Fully weathered Structural Upstand.** Must provide secure fixing point and support the rooflight. There must be no steps or undulations on the top surface that exceed ±2mm (By Others)

Detail F (Scale 1:5)



Plan View (Scale 1:50)

*Next Generation Rooflights Strongly recommends that a structural engineer is consulted when designing the structure(s) that will support the product and the surrounding roof. Nothing in this drawing constitutes a structural proposal.



Section G-G (Scale 1 : 25)



GENERAL NOTES

1. NO DIMENSIONS ARE TO BE SCALED FROM THIS DRAWING.
2. DISCREPANCIES IN SITE DIMENSIONS TO BE REPORTED TO NEXT GENERATION ROOFLIGHTS.
3. ALL DIMENSIONS IN MILLIMETERS.
4. ALL LEVELS IN METRES.
5. THIS DRAWING REMAINS THE PROPERTY OF VISION AGI LIMITED AND MAY NOT BE COPIED, REPRODUCED OR ITS CONTENTS DIVULGED WITHOUT PRIOR WRITTEN CONSENT FROM VISION AGI LIMITED.

Next Generation Rooflights is a trading name of Vision AGI Limited, Company No. 08429446, Registered Office: 1 Vicarage Lane, Stratford, London, E15 4HF

| Rev | Date | Init | Revision |
|-----|------|------|----------|
| | | | |

NEXT GENERATION ROOFLIGHTS
Queens Business Park
Wilbraham Road
Fulbourn
Cambridge
CB21 5GT
T: 01223 792 224
E: sales@nextgenrooflights.co.uk
info@nextgenrooflights.co.uk
W: nextgenrooflights.co.uk



Client:

Title: **Bi-Parting Sliding Over Fixed Upstand drawing (5°-45°)**

Project: **Rooflight**

| | | | |
|-------------------------------|-------------------|--------------|------------|
| Scales: As indicated above | Date: 01/07/22 | Drawn: CR | Chk: CR |
|-------------------------------|-------------------|--------------|------------|

| | |
|------------------------------|-----------|
| Drg No.: 300-SALES-201(9) | Rev: - |
|------------------------------|-----------|