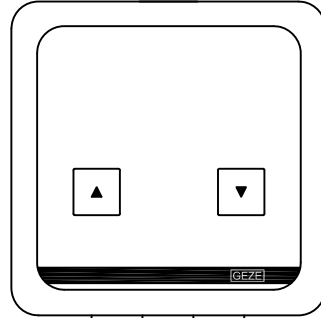
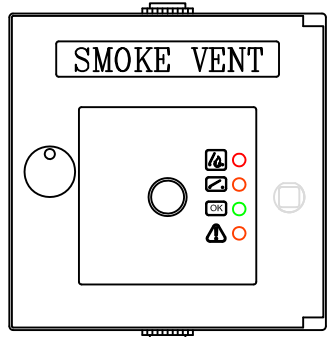
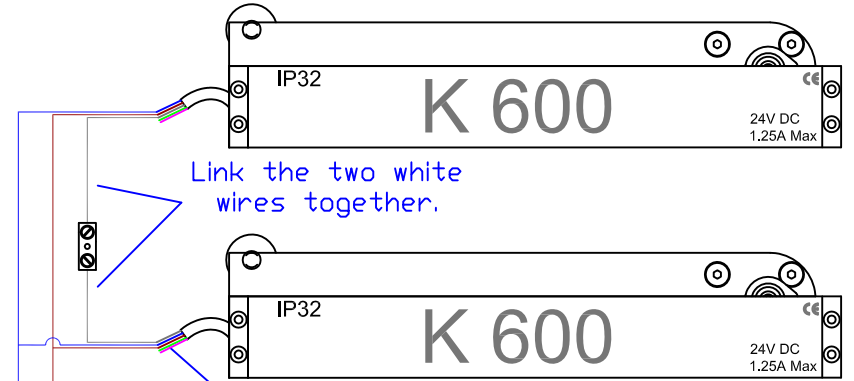
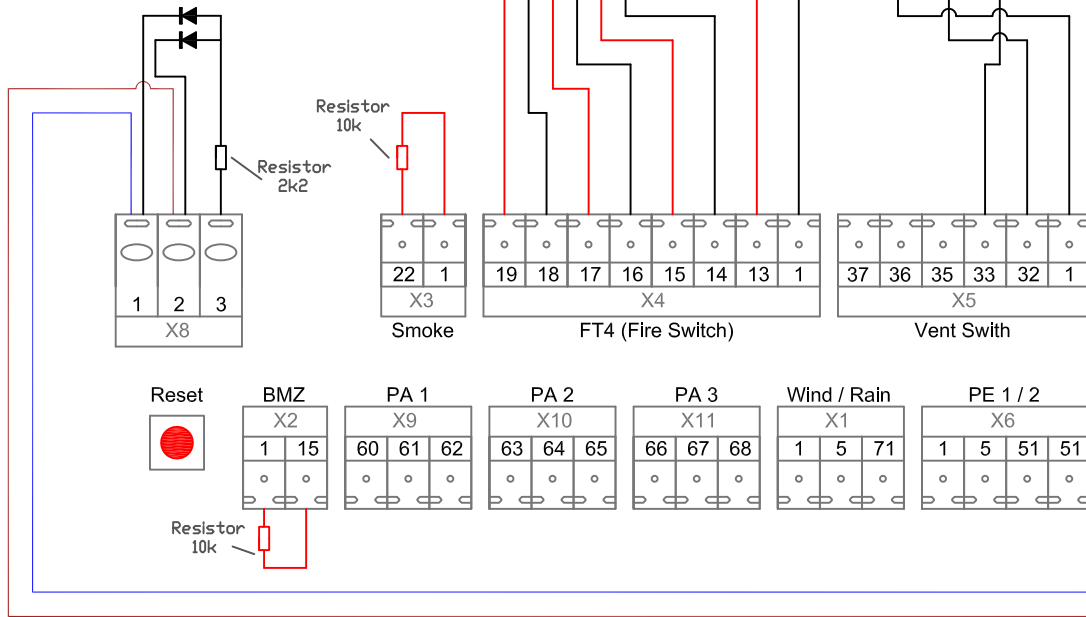


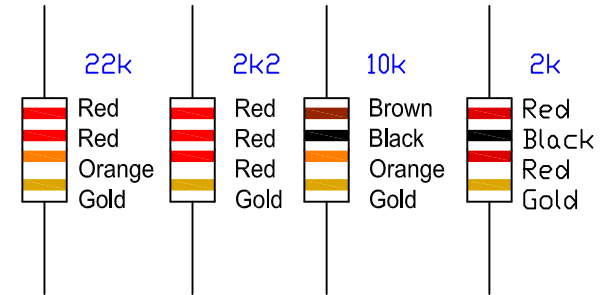
id:099561



id:129393



Green & Violet
Not used



This drawing shows the actual stage of product development at the date indicated. No claims or damages in any form can be made against Vision AGI as a result of the interpretation of this drawing. This drawing remains the property of Vision AGI and is made available to third parties only for the duration of contractual obligations. All rights connected with this drawing remain in possession of Vision AGI. This drawing may not be copied or handed over to third parties without the express consent of Vision AGI.
*Next Generation Rooflights is a trading name of Vision AGI Limited, Company No. 08429446, Registered Office: 1 Vicarage Lane, Stratford, London, E15 4HF

Cable Ø	1 A	2 A	4 A	6 A
1.5 mm ²	100 m	50 m	25 m	16 m
2.5 mm ²	180 m	90 m	45 m	30 m
4.0 mm ²	280 m	140 m	70 m	45 m

DB	0	06/08/14
Drawn	Rev	Date
Reason for change		
Drawing No.	App'd	Scale
08-14-RWA-V087	--	NTS
Title	Date	
THZ, K 600 Sync, LTA, FT4	06/08/14	

NEXT GENERATION ROOFLIGHTS
 Queens Business Park
 Wilbraham Road
 Fulbourn
 Cambridge
 CB21 5GT
 T: 01223 792 224
 E: sales@nextgenrooflights.co.uk
 info@nextgenrooflights.co.uk
 W: nextgenrooflights.co.uk